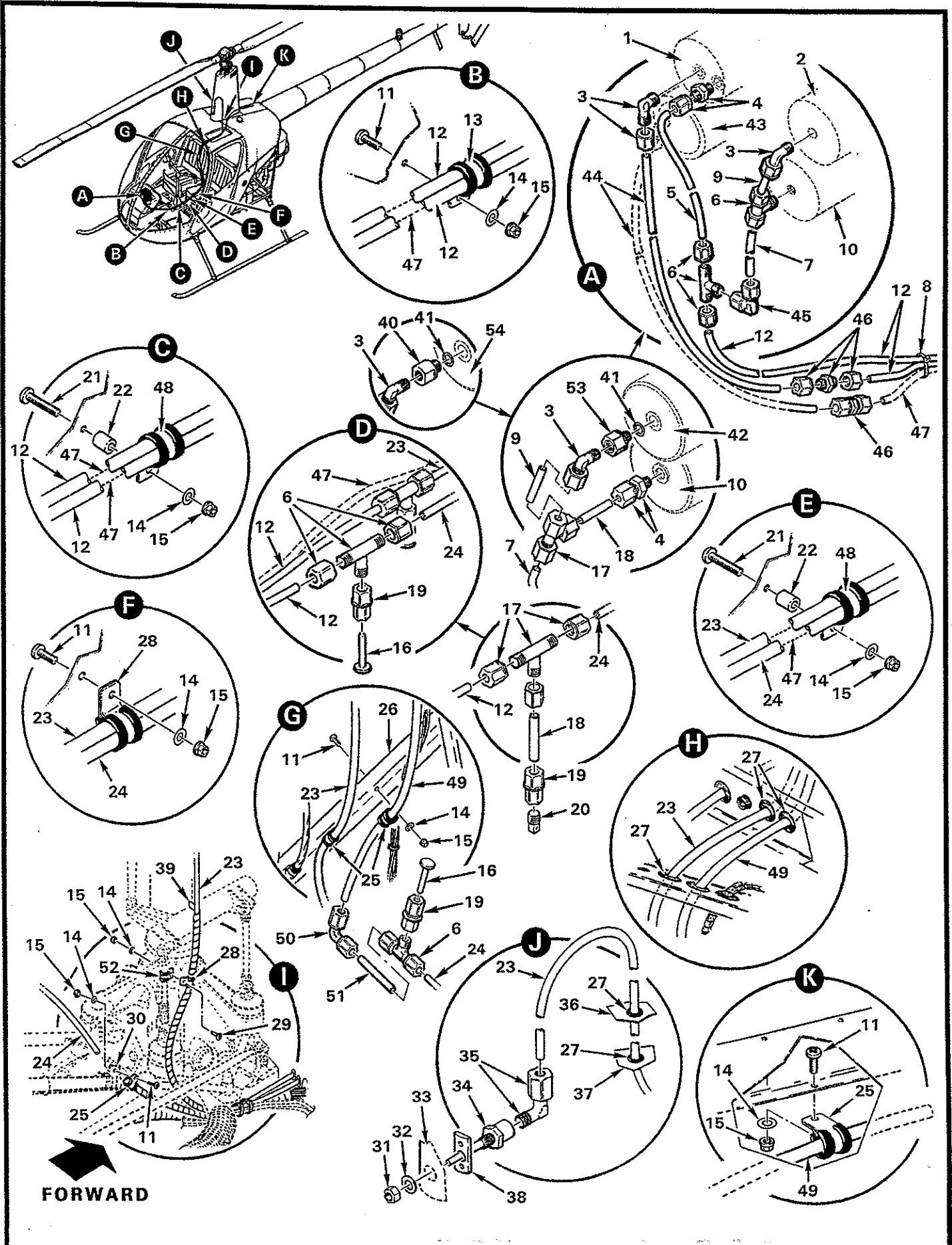
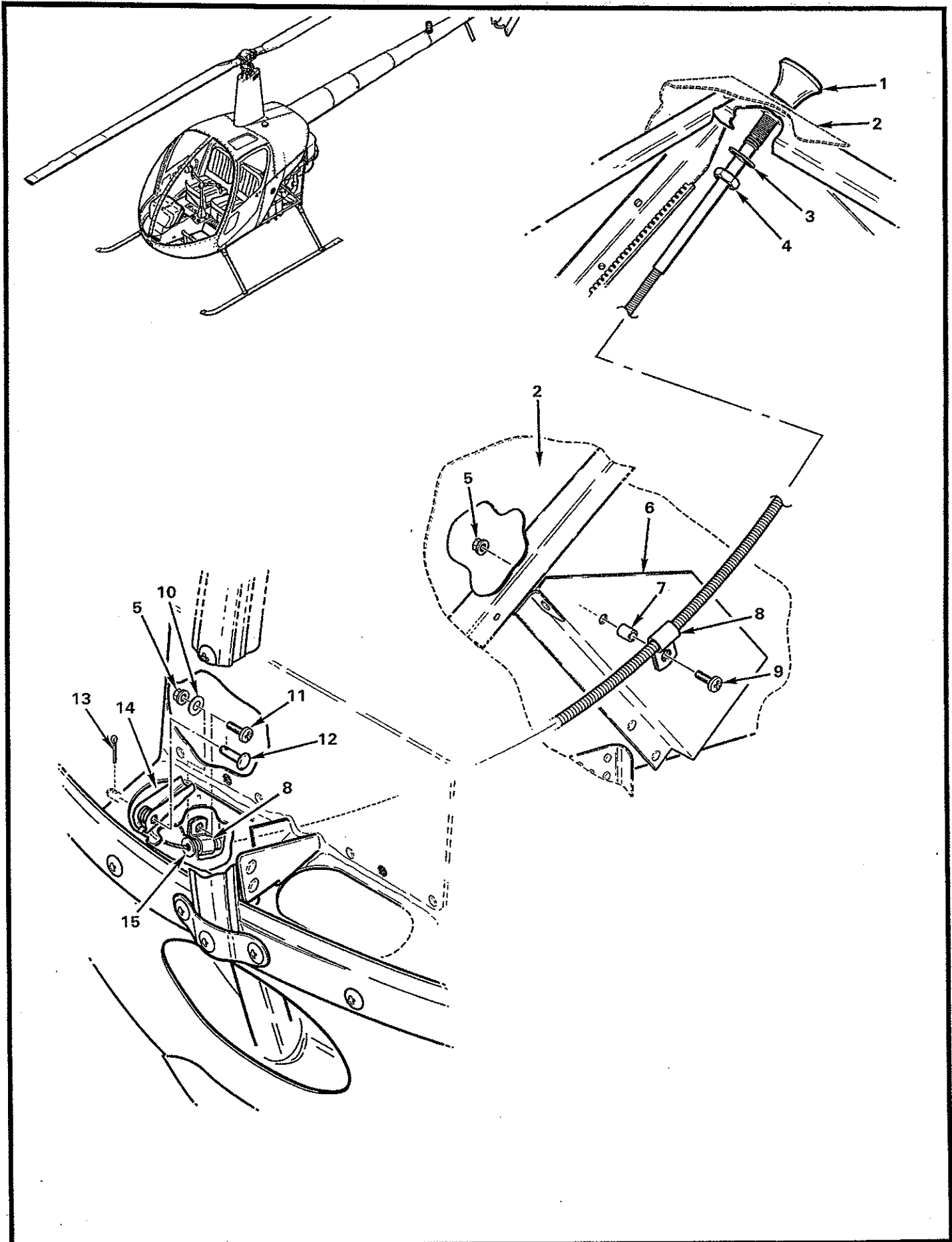
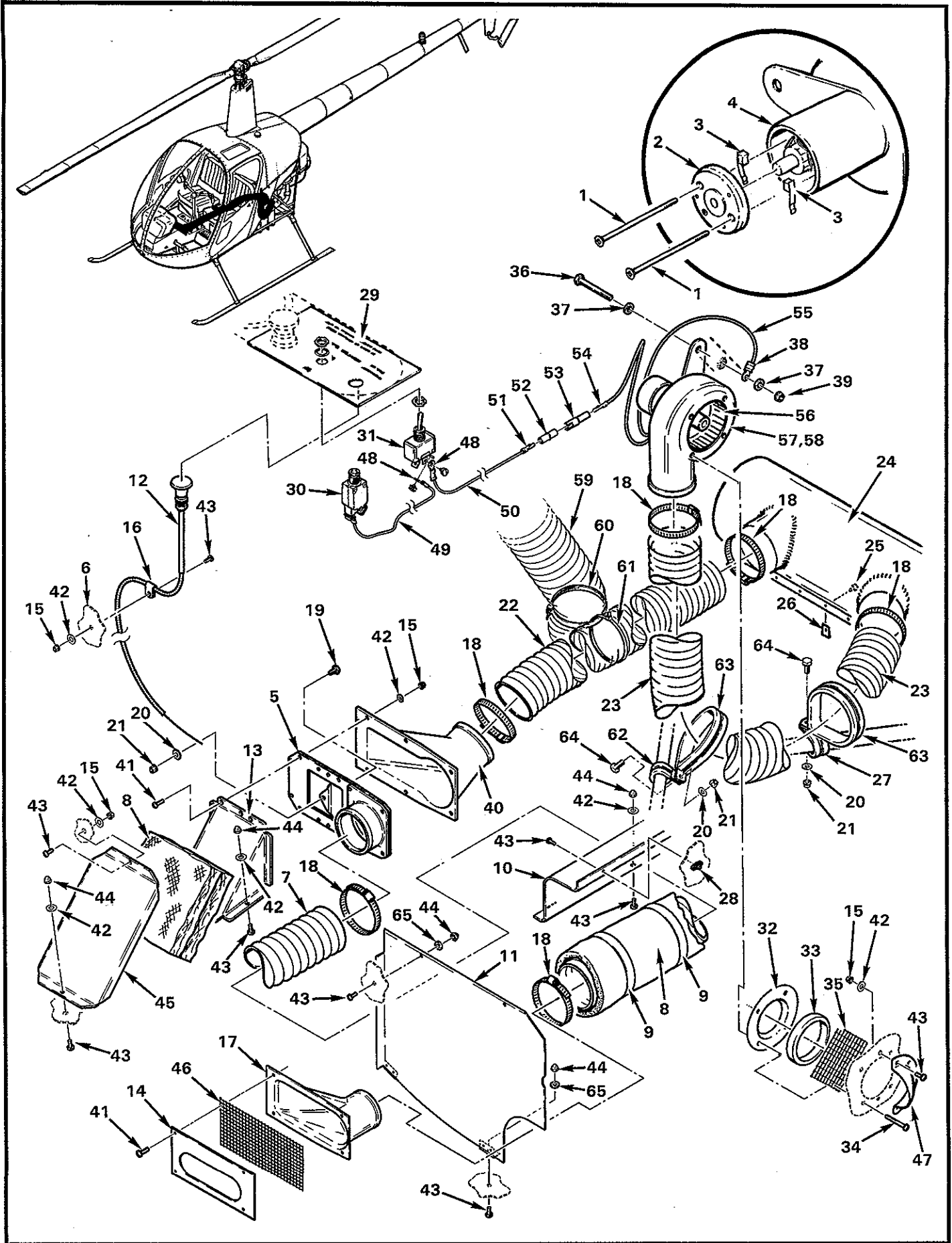
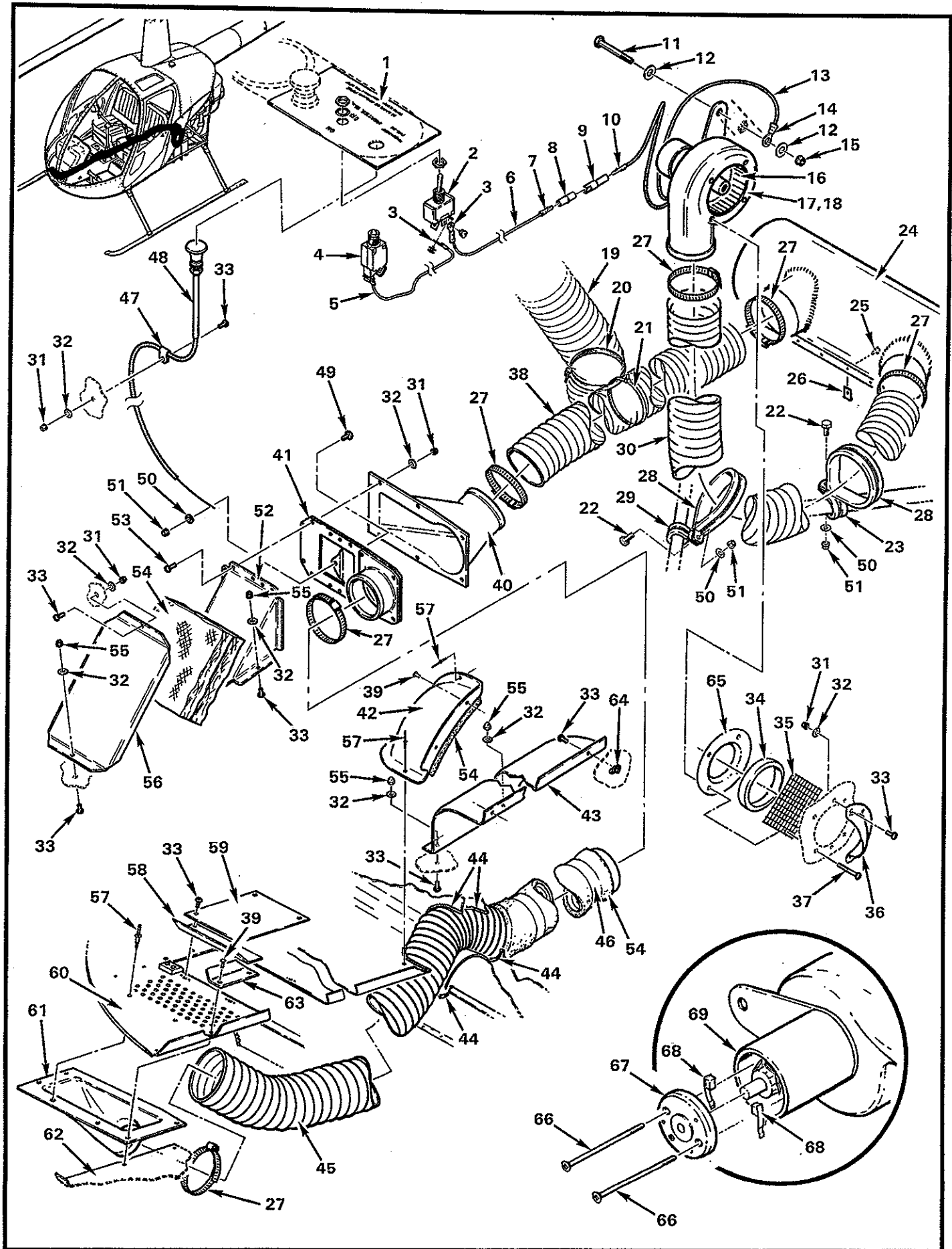


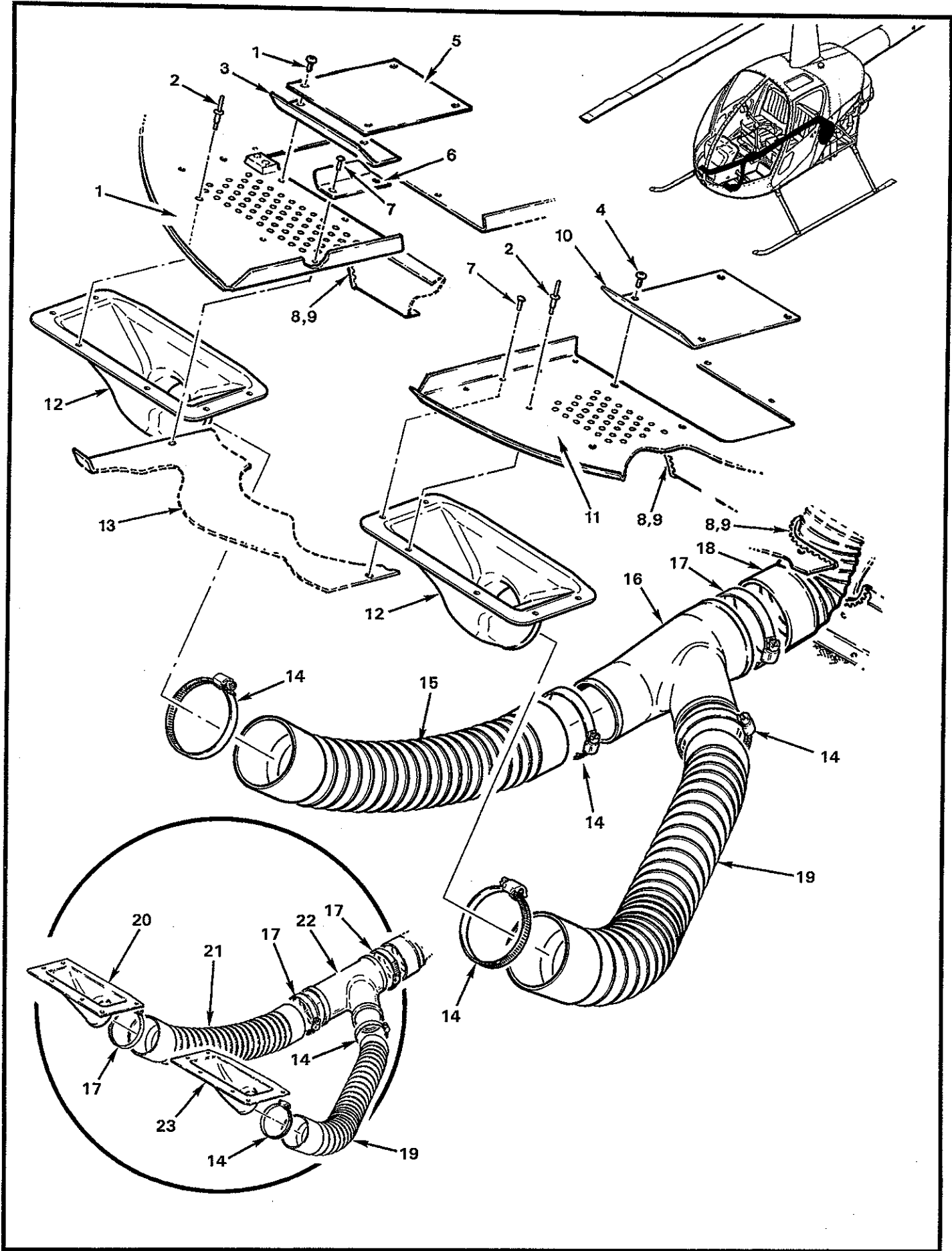
FIGURE 13-1 PITOT AND STATIC SYSTEM INSTALLATION



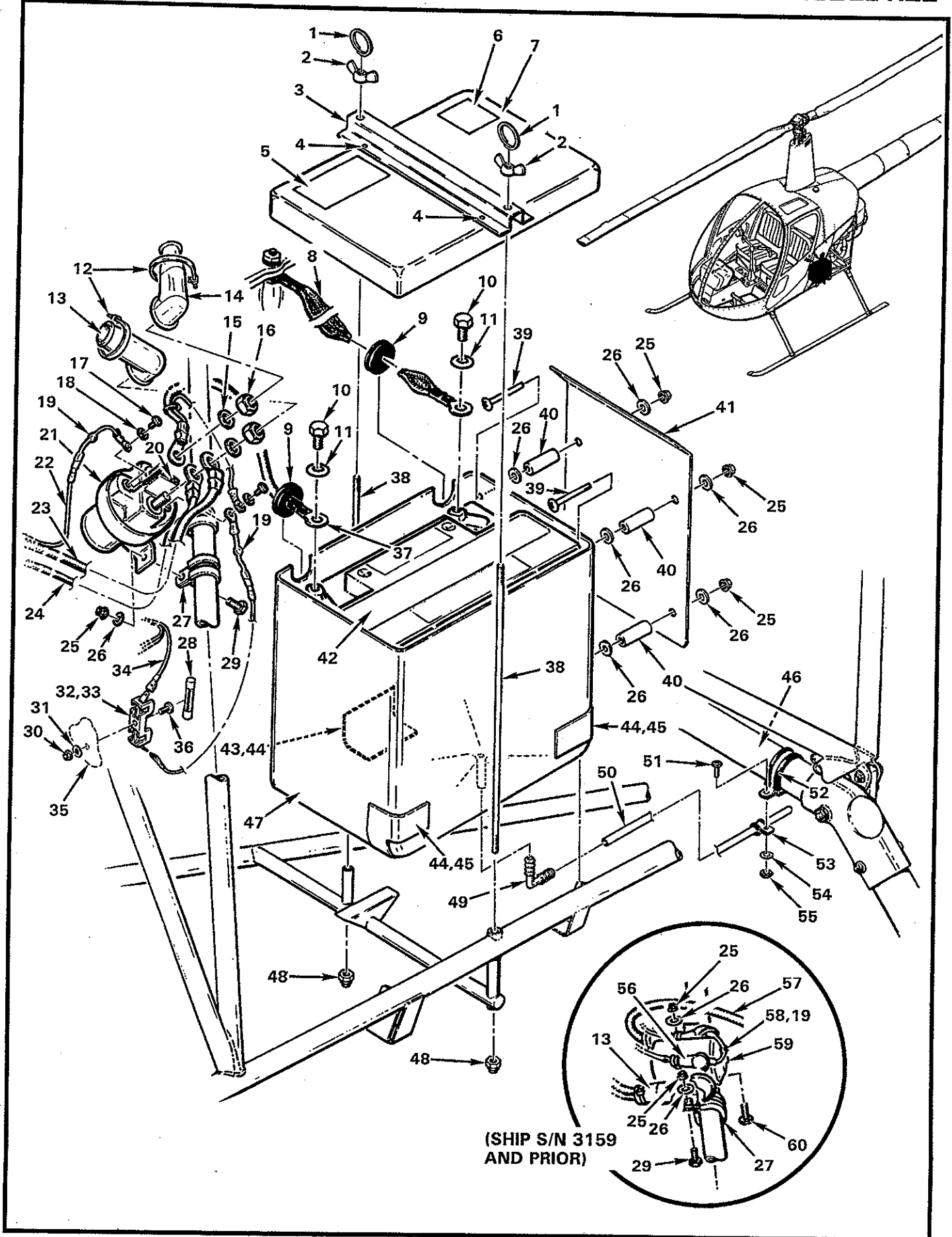




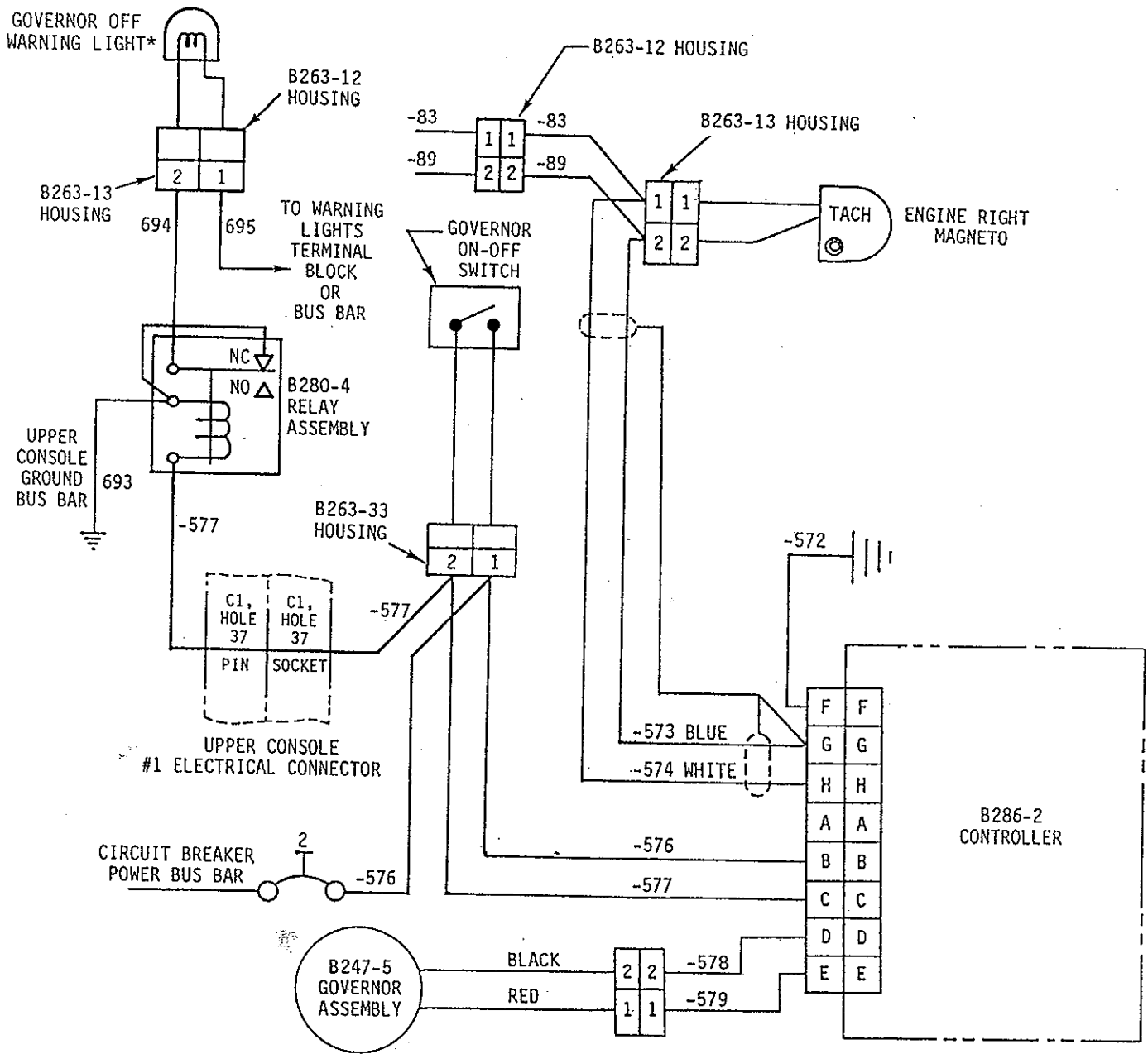




11.8 FIGURE 11-9 CABIN HEAT SYSTEM - DUAL FORWARD OUTLET Issued: JUN 2006



14.600 ELECTRICAL SYSTEM SCHEMATICS (Cont'd)



*IF NOT INSTALLED, GOVERNOR OFF WARNING LIGHT MAY BE ADDED USING KI-100 KIT.

FIGURE 14-6E
GOVERNOR SYSTEM SCHEMATIC

14.600 (cont'd)

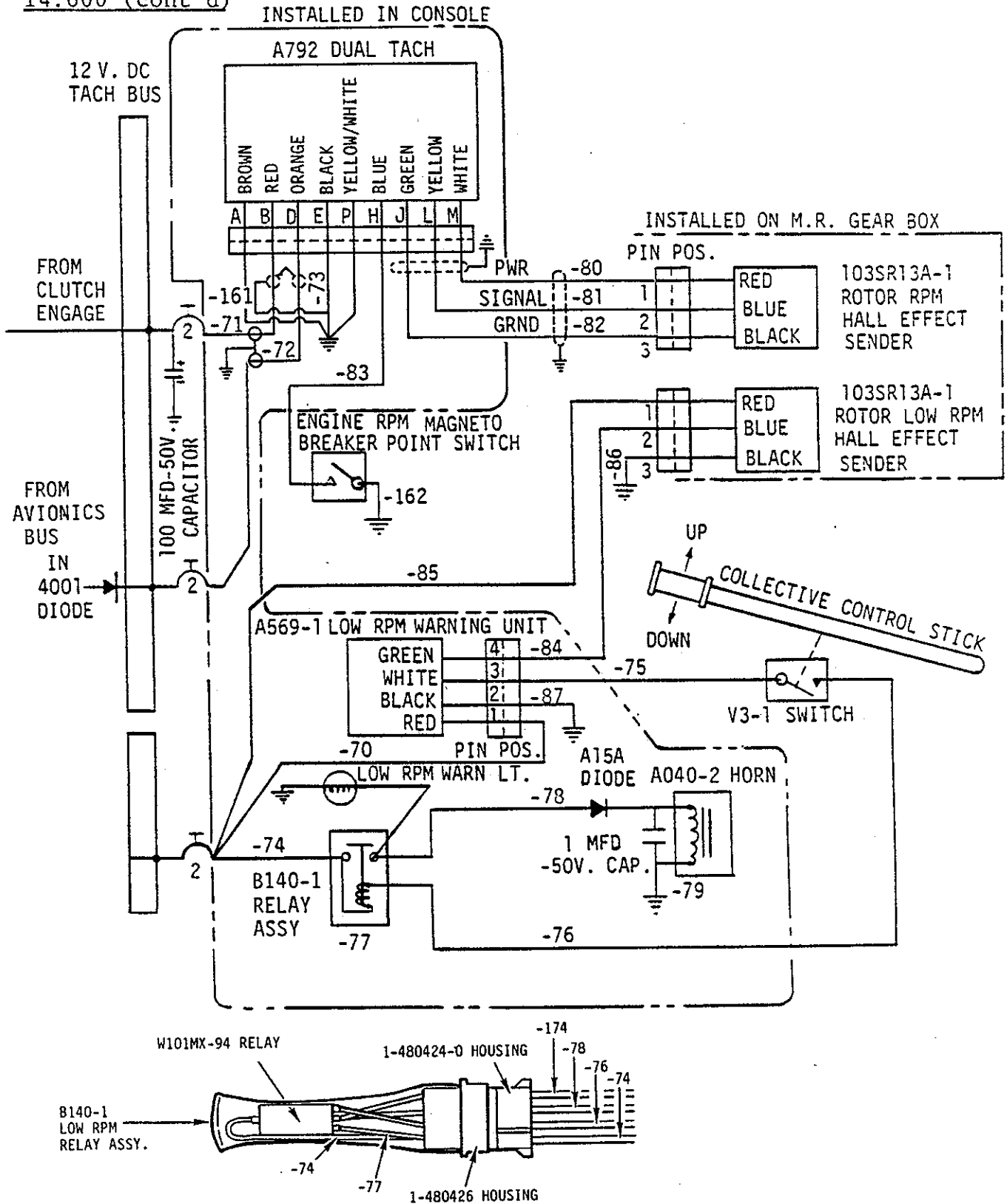
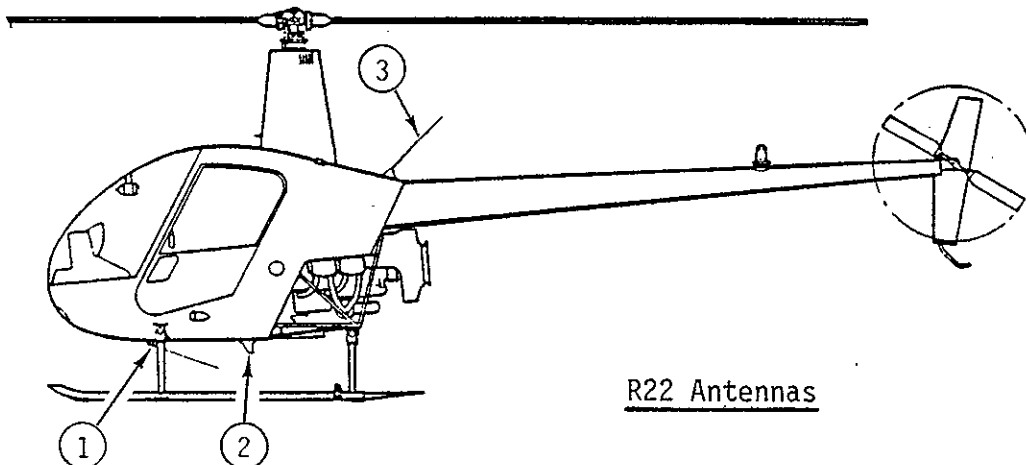


FIGURE 14-3A TACHOMETER AND LOW RPM WARNING HORN SCHEMATIC (A/C 224 AND SUB. INCLUDING A/C RETROFITTED WITH A942 ALTERNATOR CONTROL UNIT)

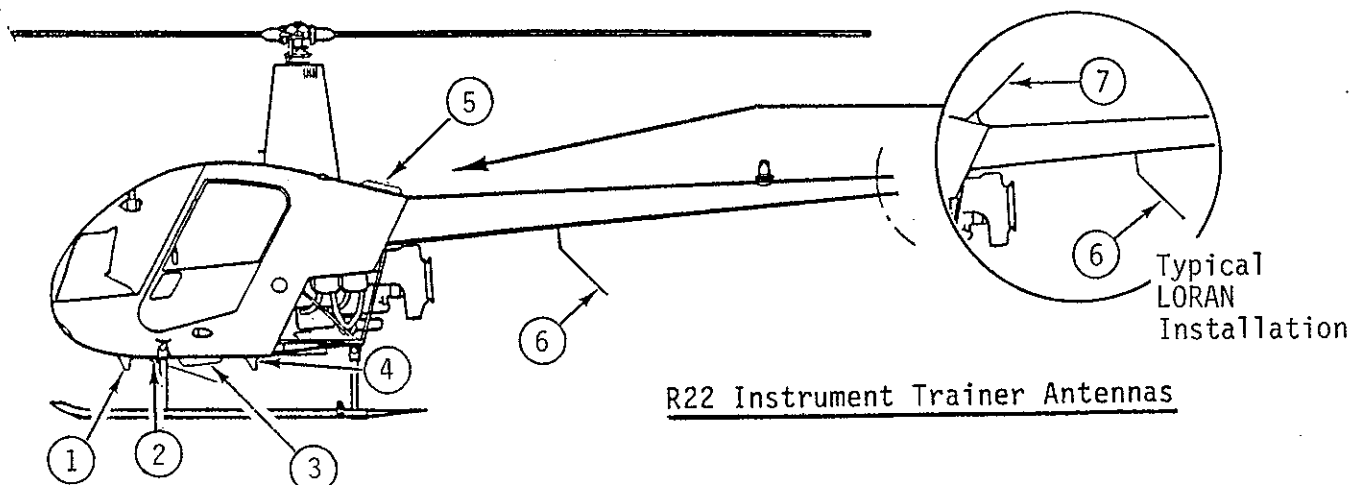
14.700 R22 ANTENNAS



R22 Antennas

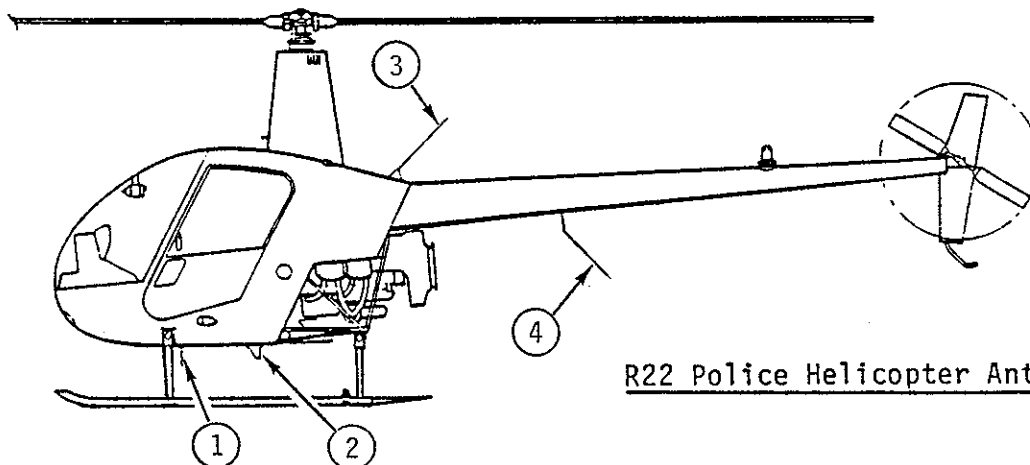
- ① NAV ② Transponder ③ COMM (no ADF or LORAN installed)

If an ADF or LORAN is installed, the COMM antenna will be as shown for the instrument trainer (tailcone mount).



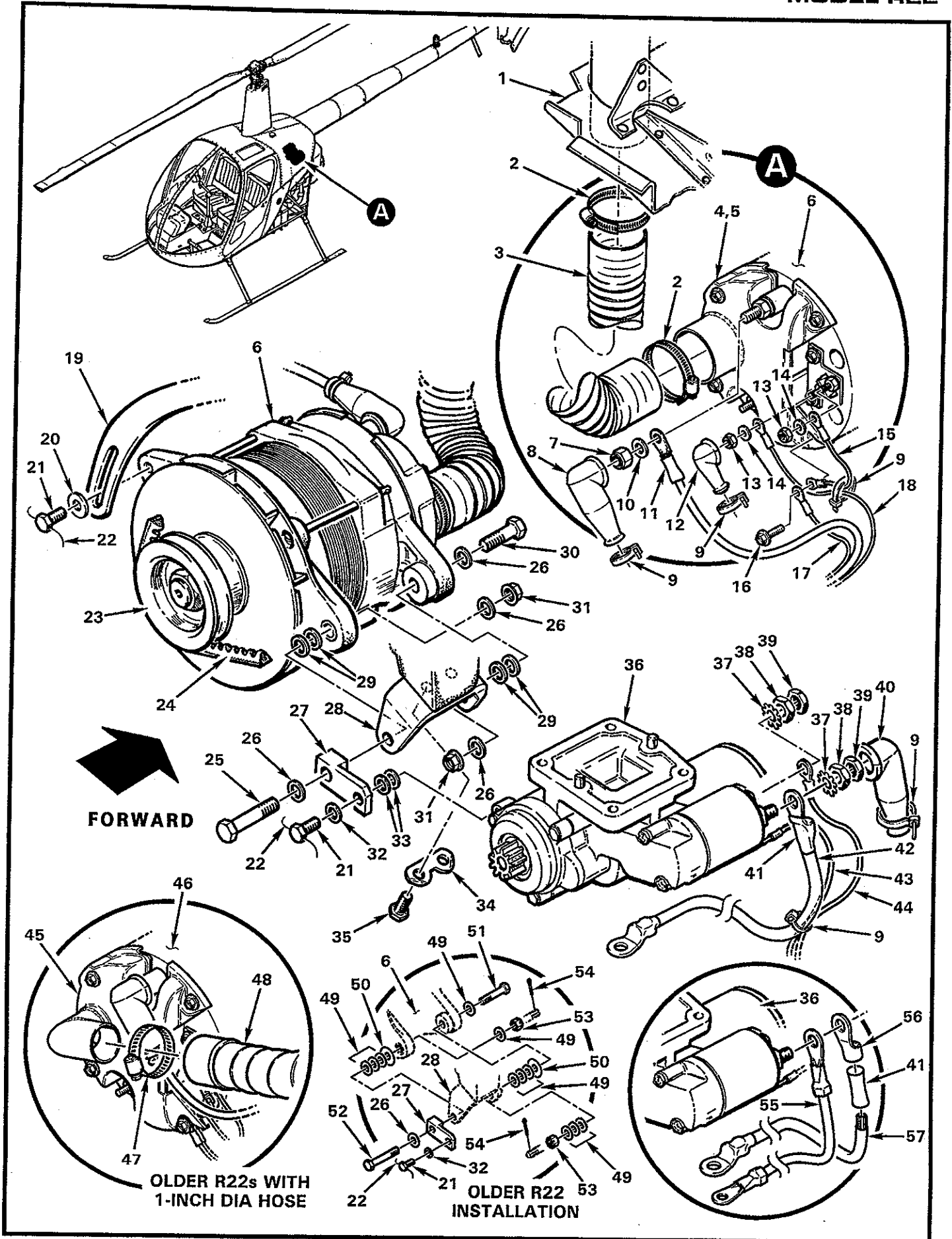
R22 Instrument Trainer Antennas

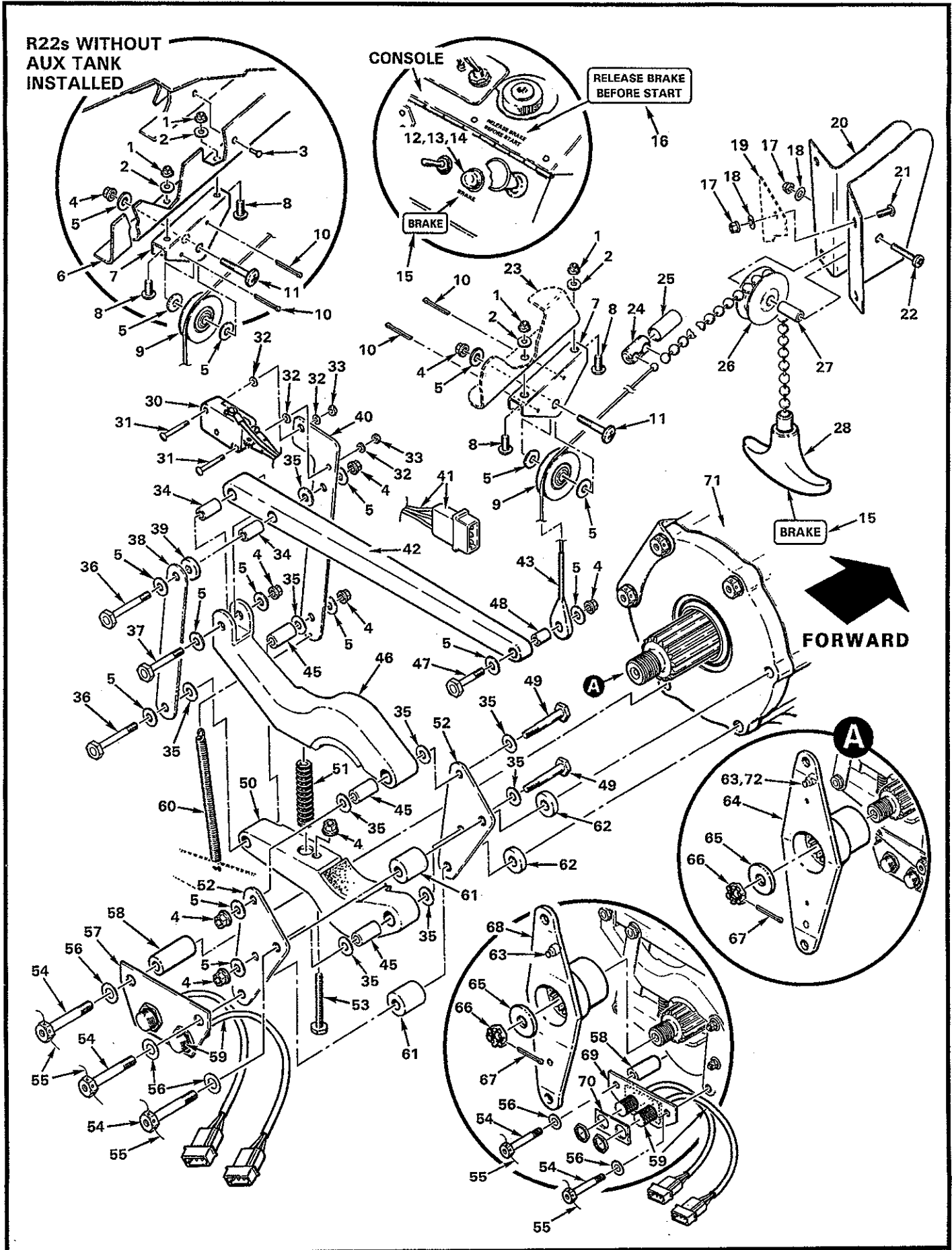
- ① DME ② NAV & Glideslope ③ Marker Beacon ④ Transponder ⑤ ADF ⑥ COMM ⑦ LORAN

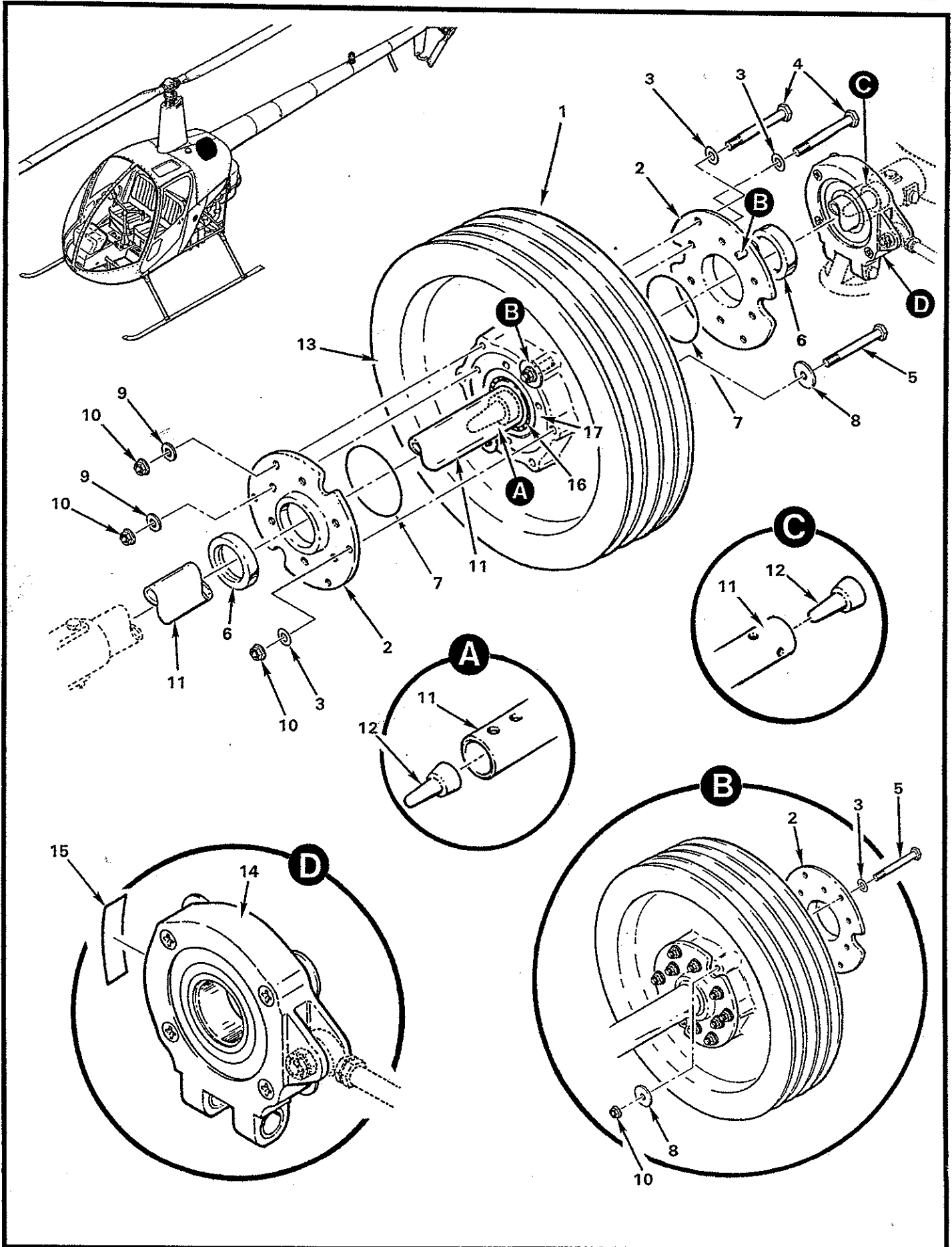


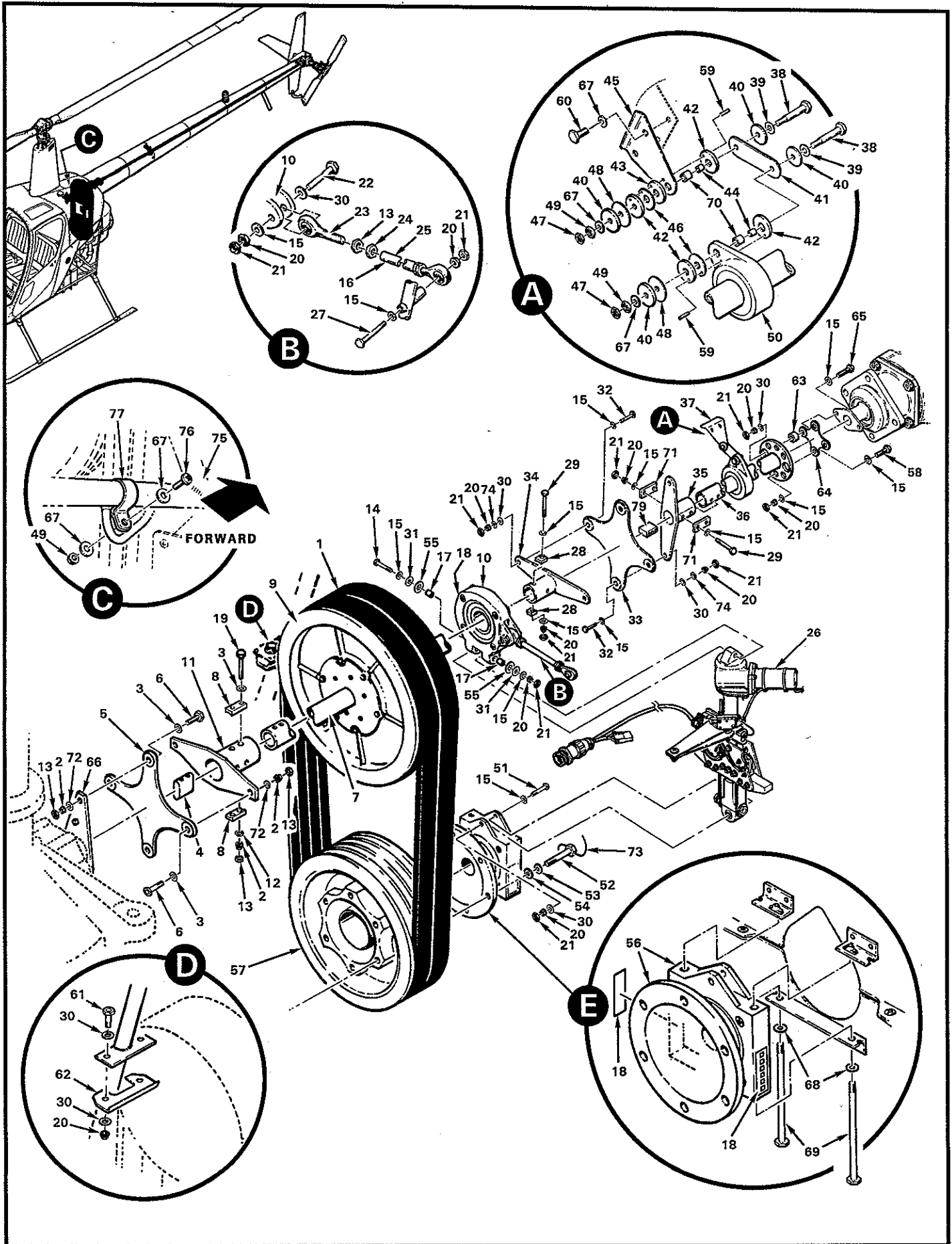
R22 Police Helicopter Antennas

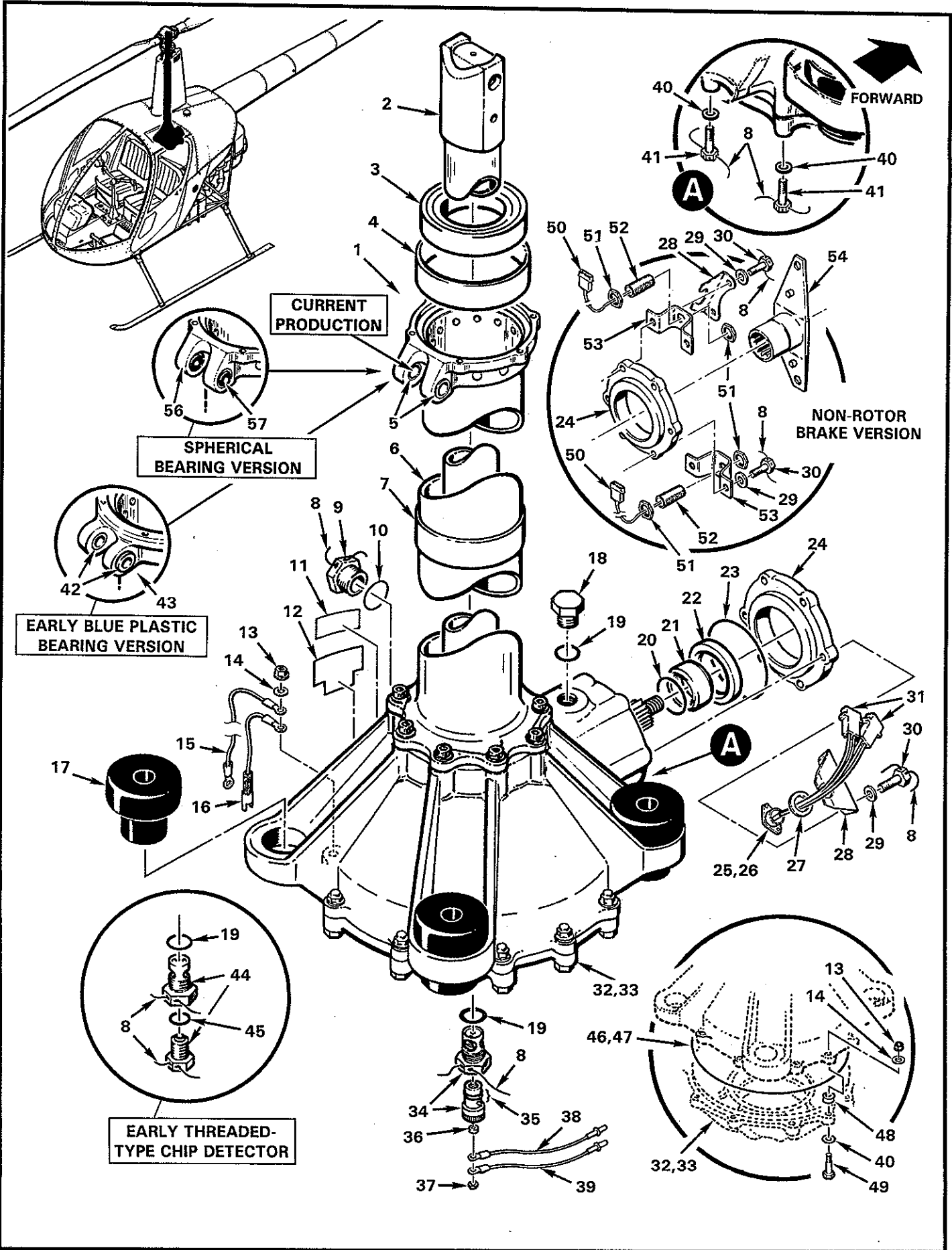
- ① Walki-Talki ② Transponder ③ Flitefone 40 ④ COMM











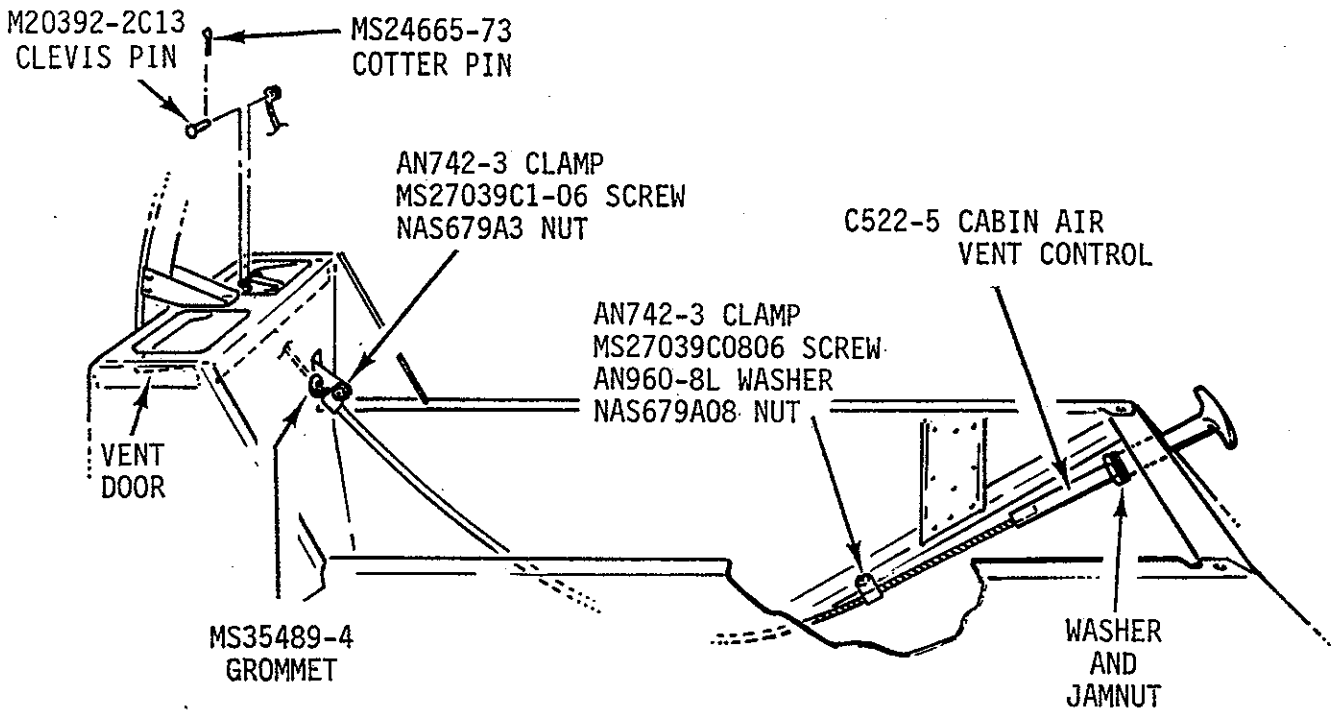


FIGURE 11-2 CABIN AIR VENT INSTALLATION

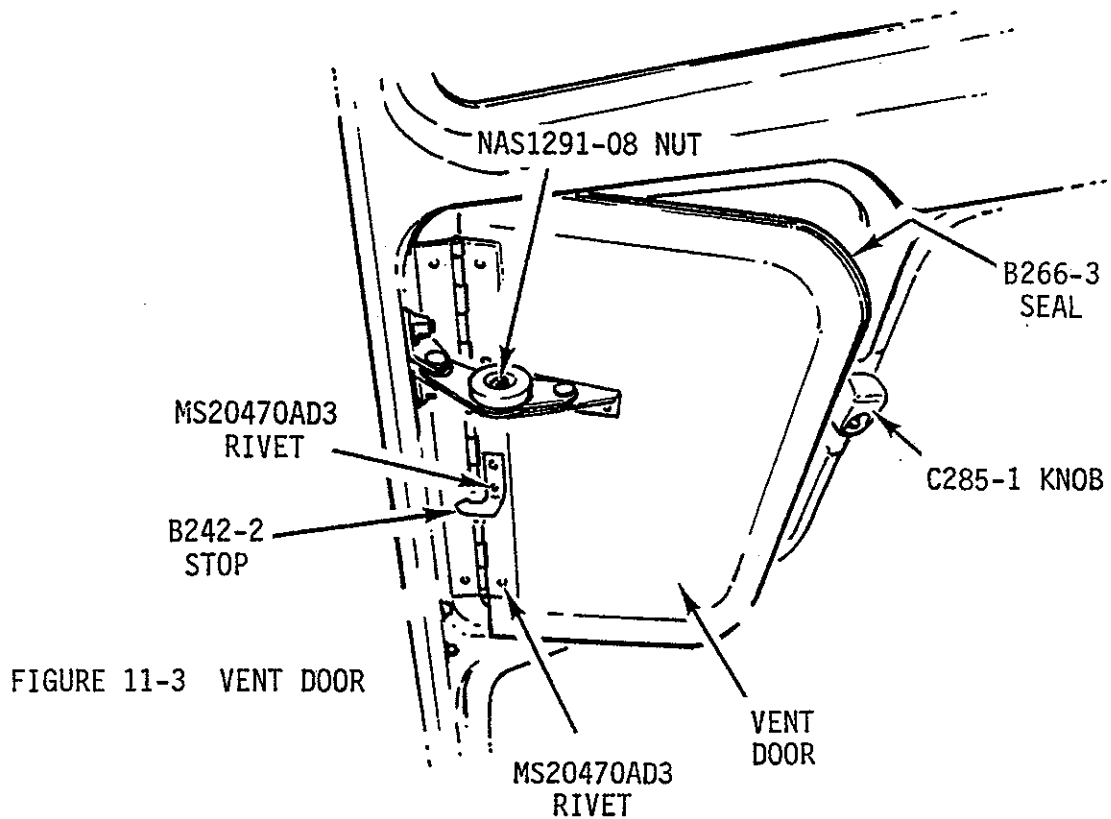
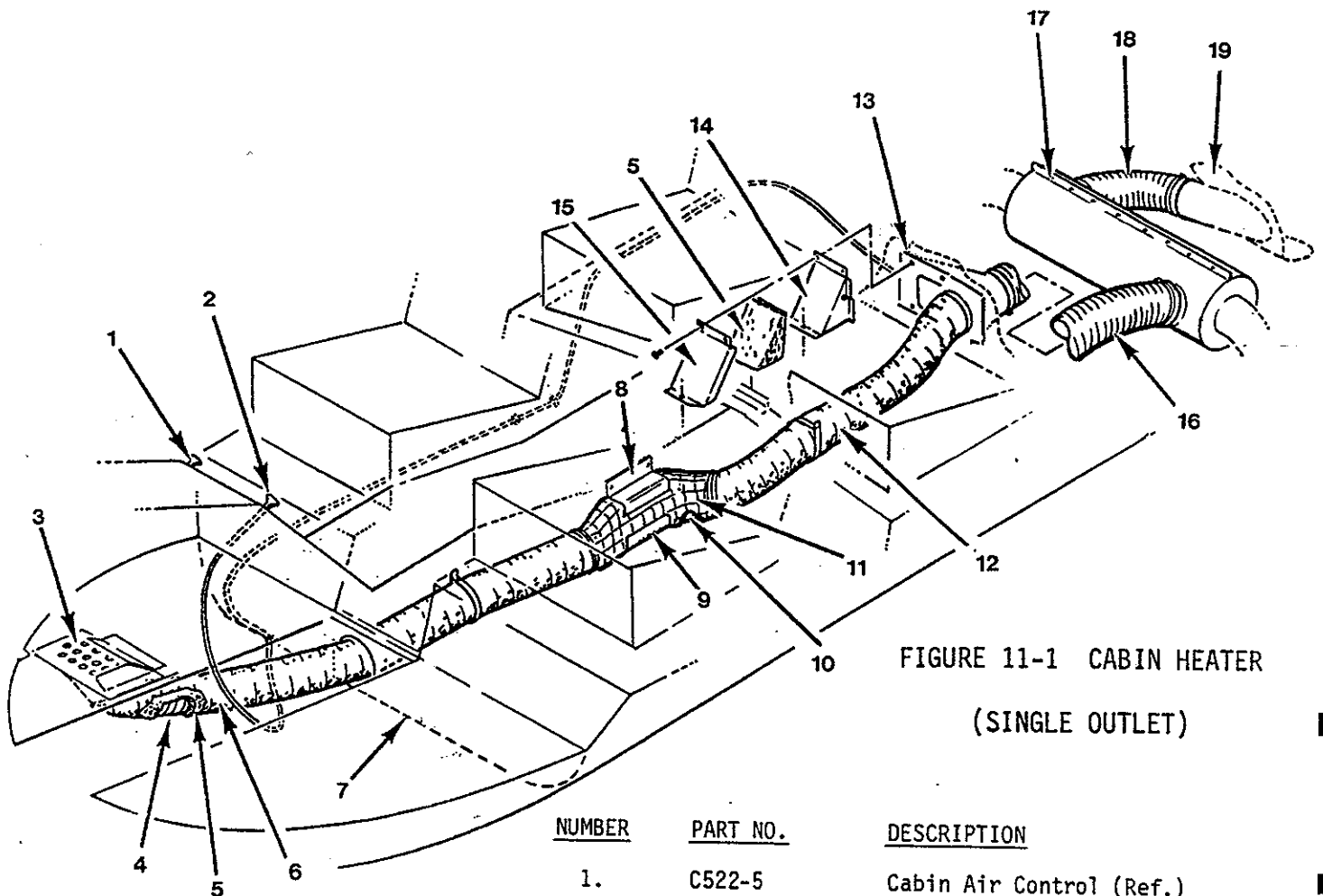


FIGURE 11-3 VENT DOOR



**FIGURE 11-1 CABIN HEATER
(SINGLE OUTLET)**

<u>NUMBER</u>	<u>PART NO.</u>	<u>DESCRIPTION</u>
1.	C522-5	Cabin Air Control (Ref.)
2.	A522-8	Cabin Heater Control
3.	B164-1	Heater Outlet
4.	A785-15	Hose
5.	R111	Insulation
6.	A701-1	Foil Tape (Forward of item 7)
	A701-2	Foil Tape (Aft of item 7)
7.	D230-1	Bulkhead (Ref.)
8.	C631-2	Clip
9.	C631-1	Clip
10.	D164-1	Duct
11.	C630-1	Insulation
12.	A785-14	Hose
13.	A019-3	Valve Assembly
14.	C625-1	Box
15.	A753-1	Cover
16.	A758-13	Hose
17.	C169-2	Shroud Assembly
18.	A785-12	Hose
19.	C236	Cooling Scroll (Ref.)

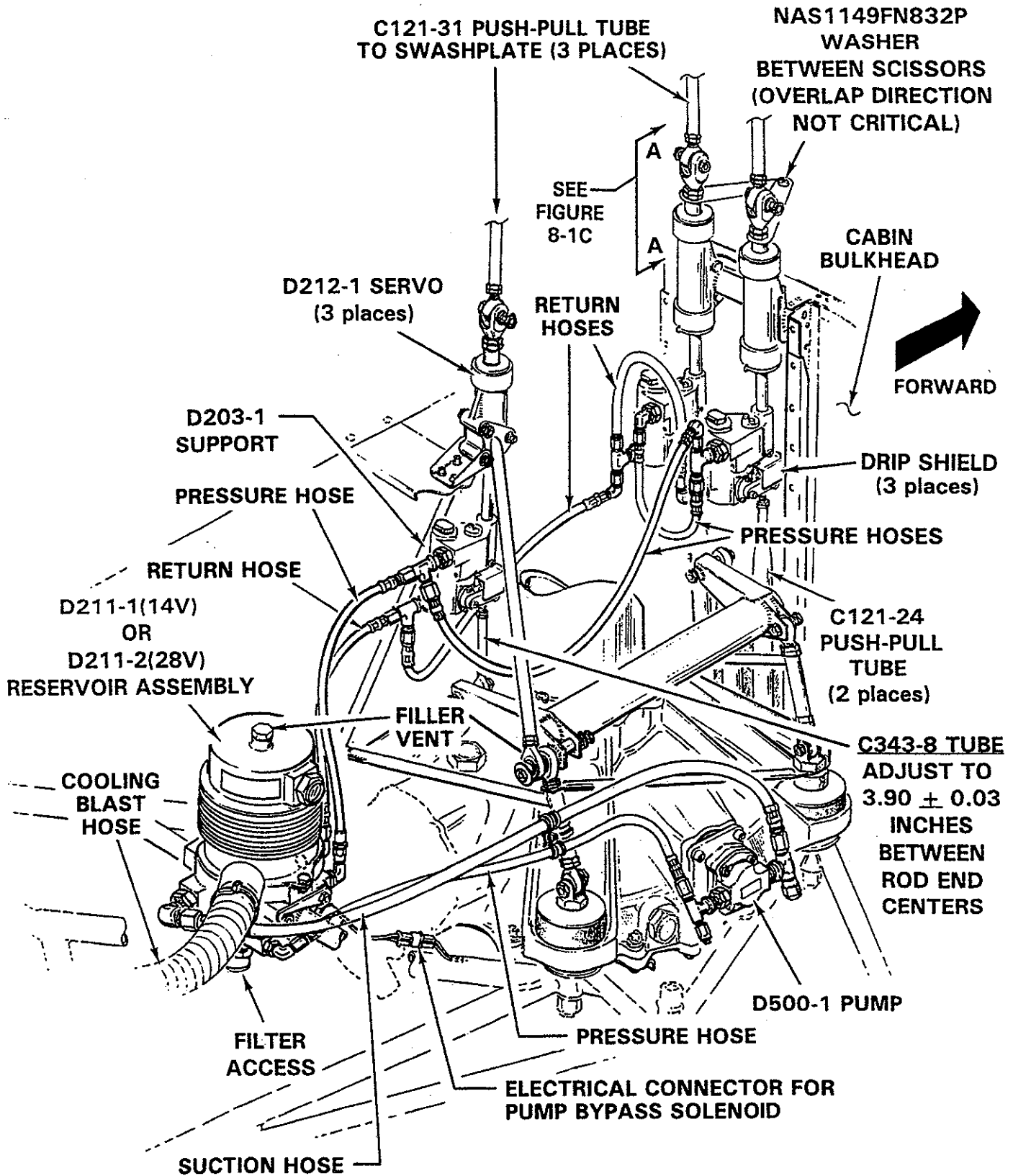


FIGURE 8-1A
HYDRAULIC FLIGHT CONTROL SYSTEM

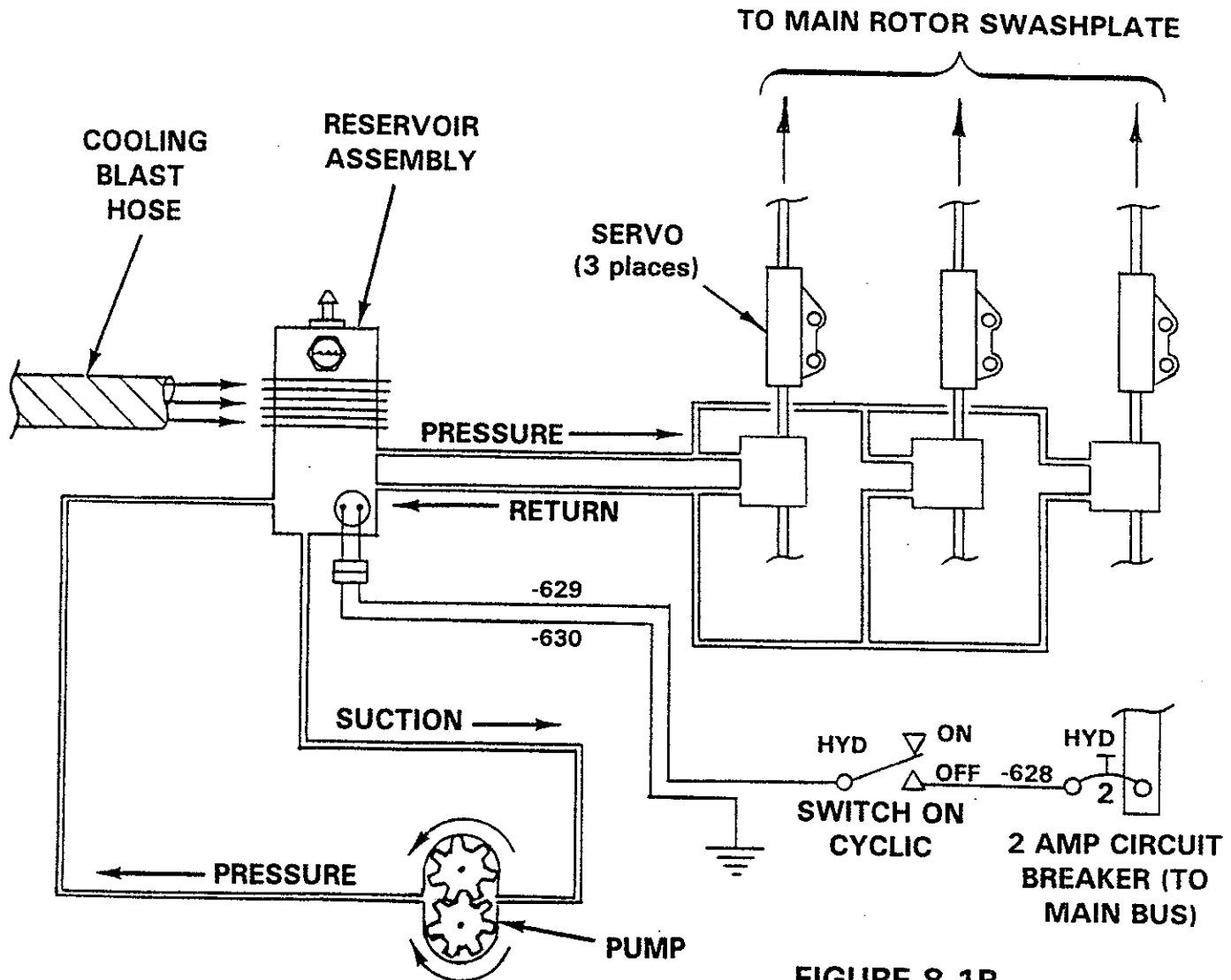


FIGURE 8-1B
HYDRAULIC SYSTEM SCHEMATIC

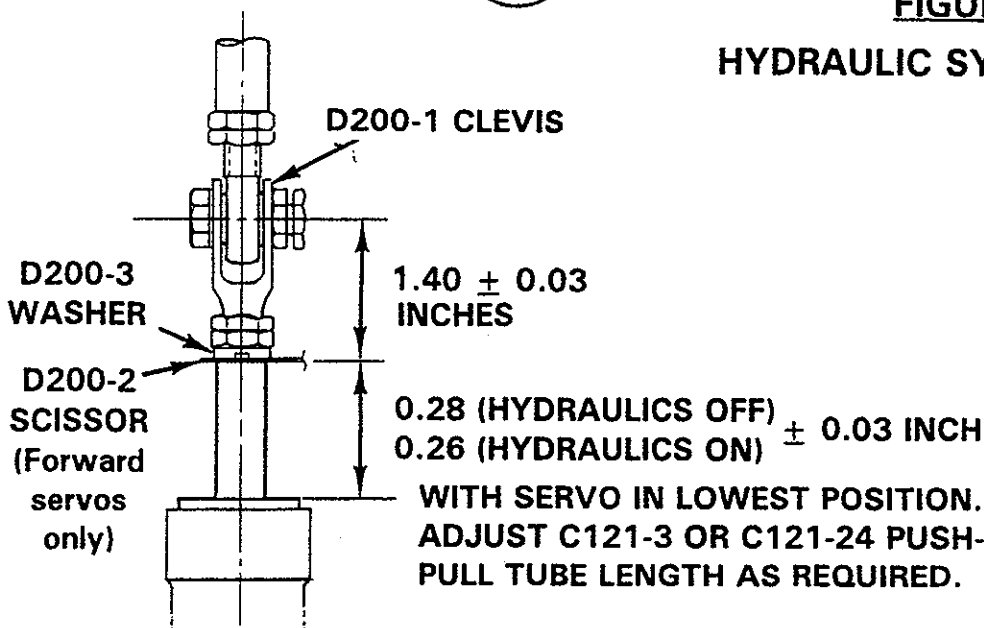


FIGURE 8-1C
SERVO RIGGING
(Typical three places)

(View A-A from Figure 8-1A)

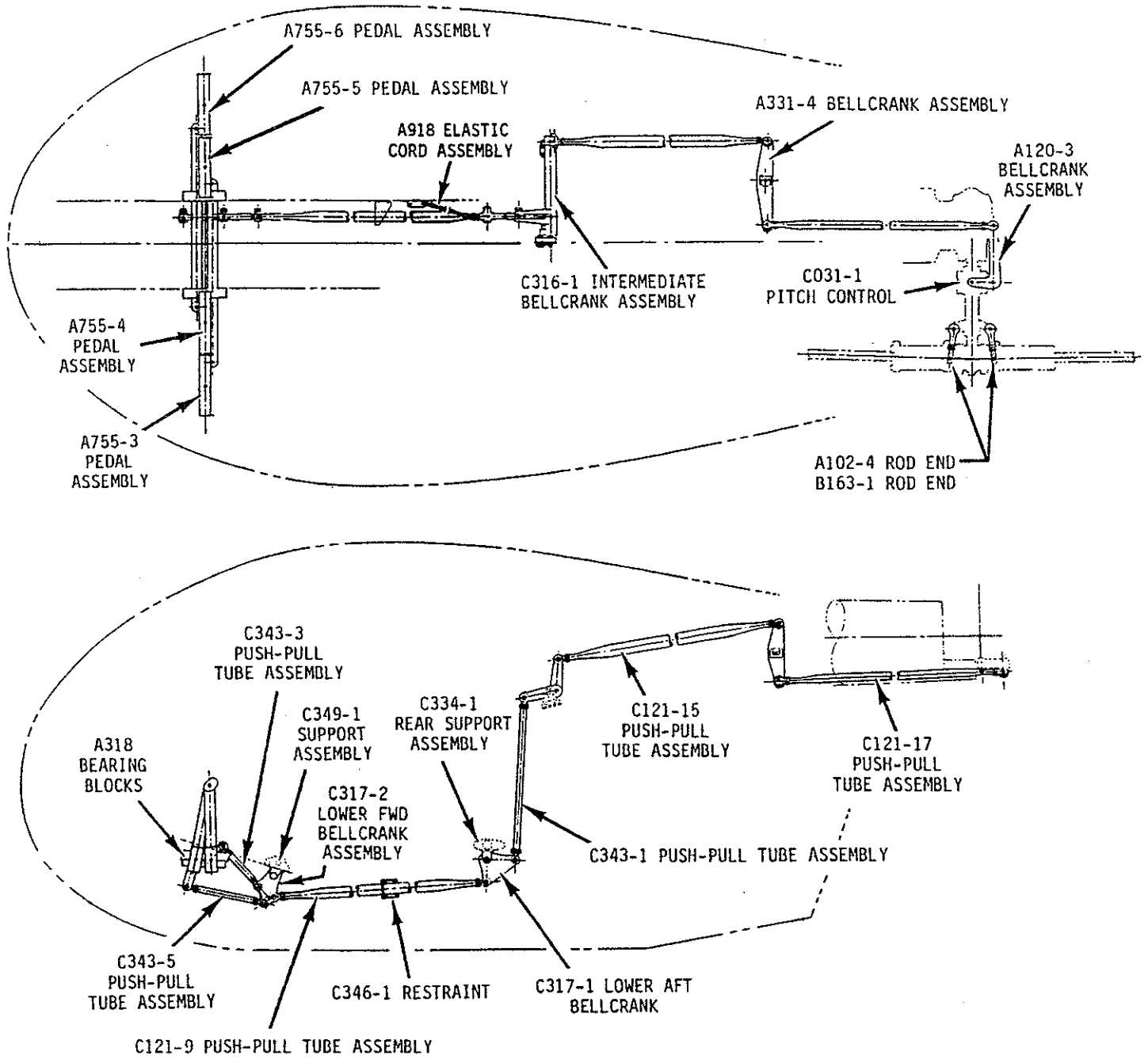


FIGURE 8-2 TAIL ROTOR FLIGHT CONTROLS

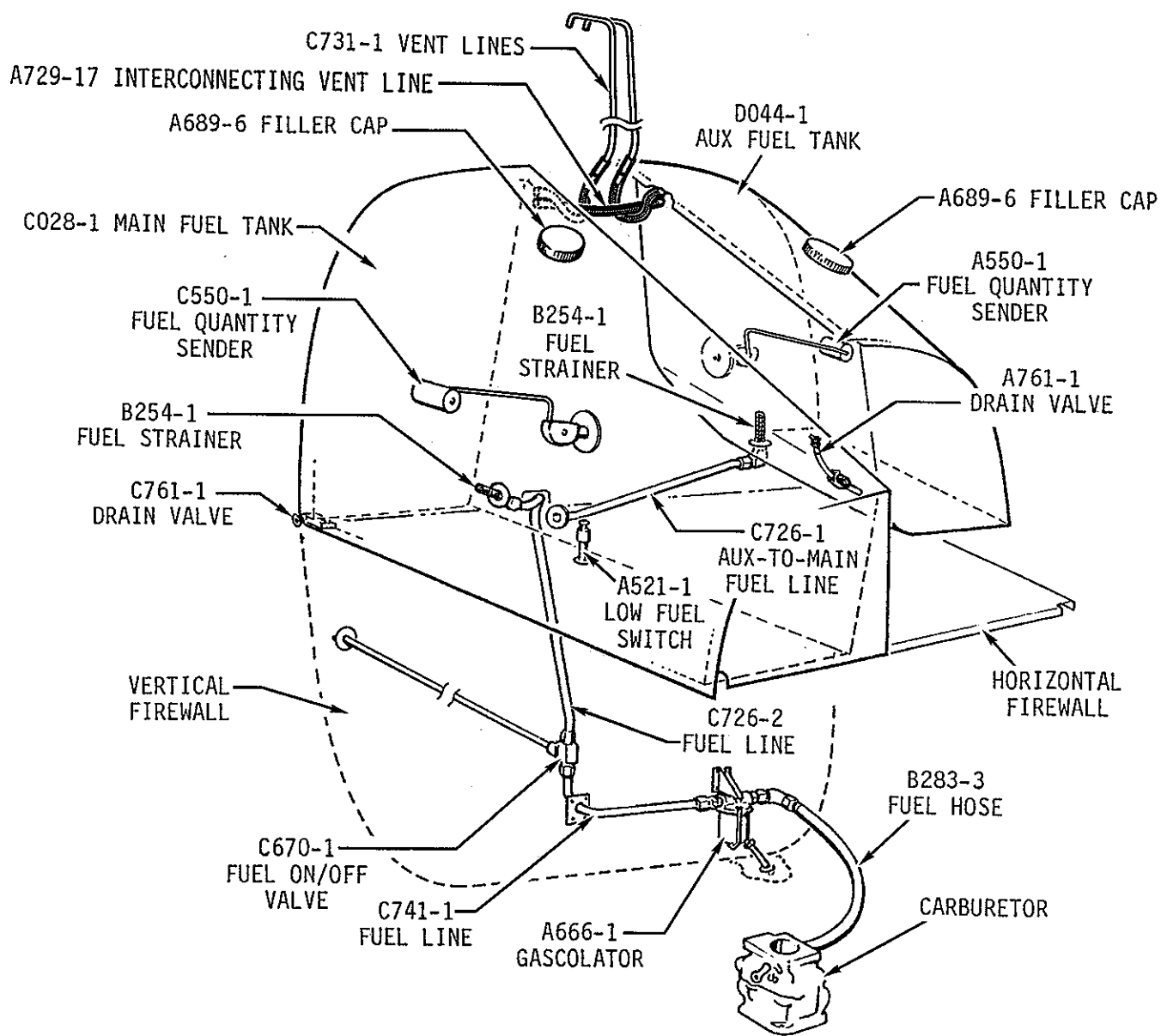
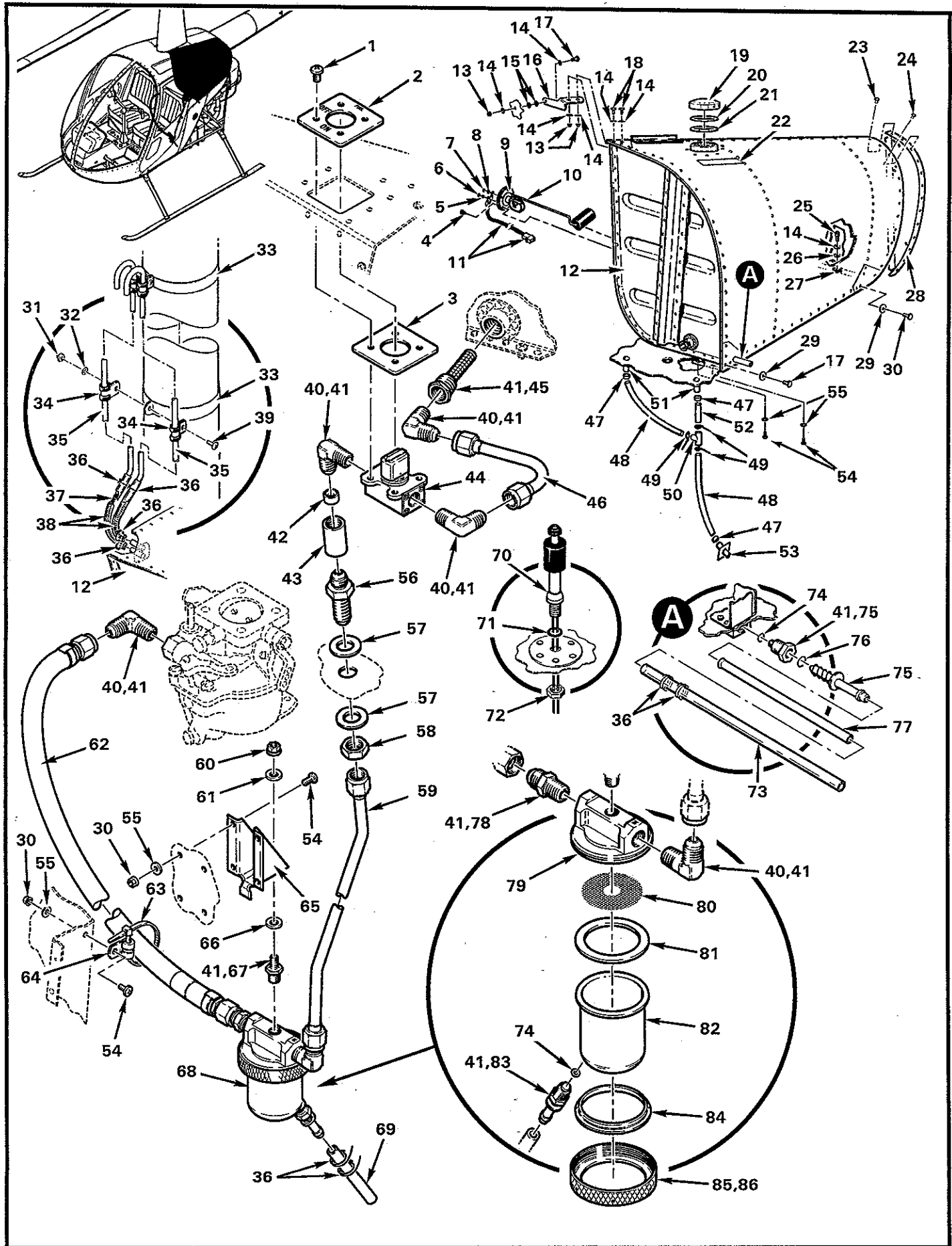
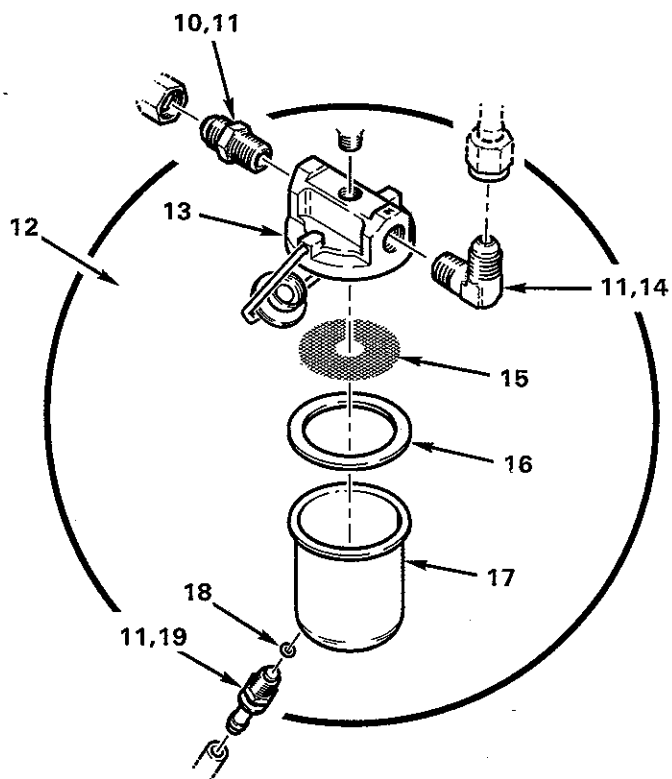
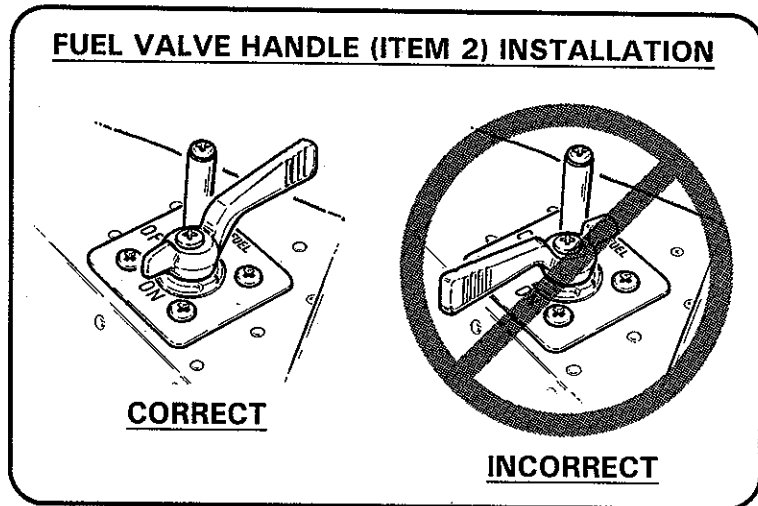
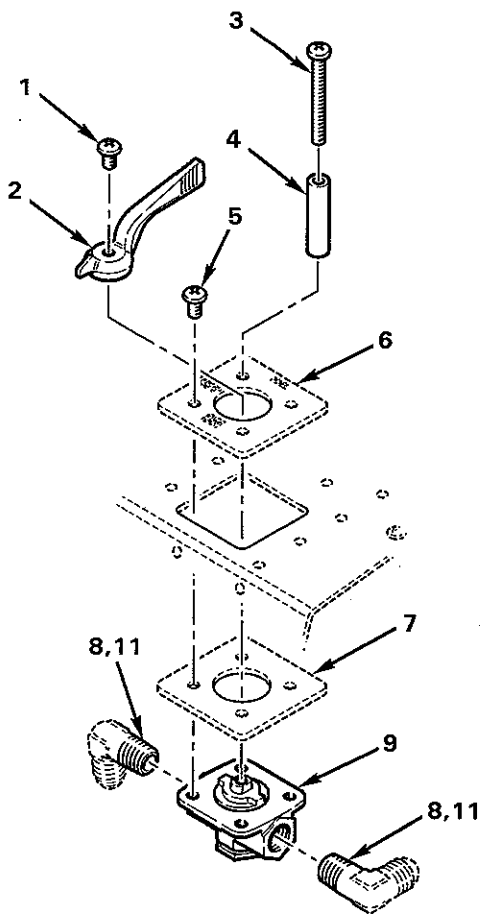
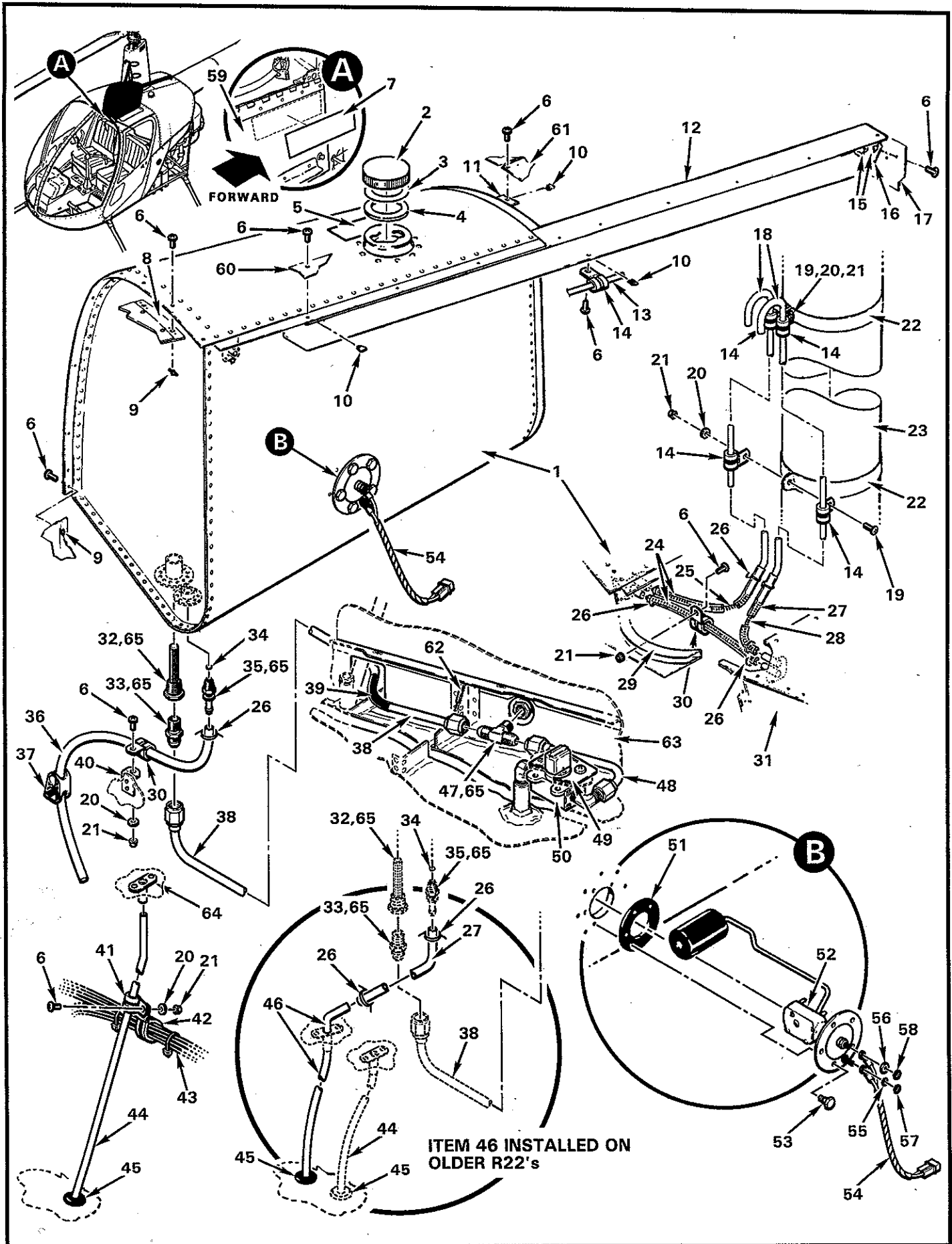
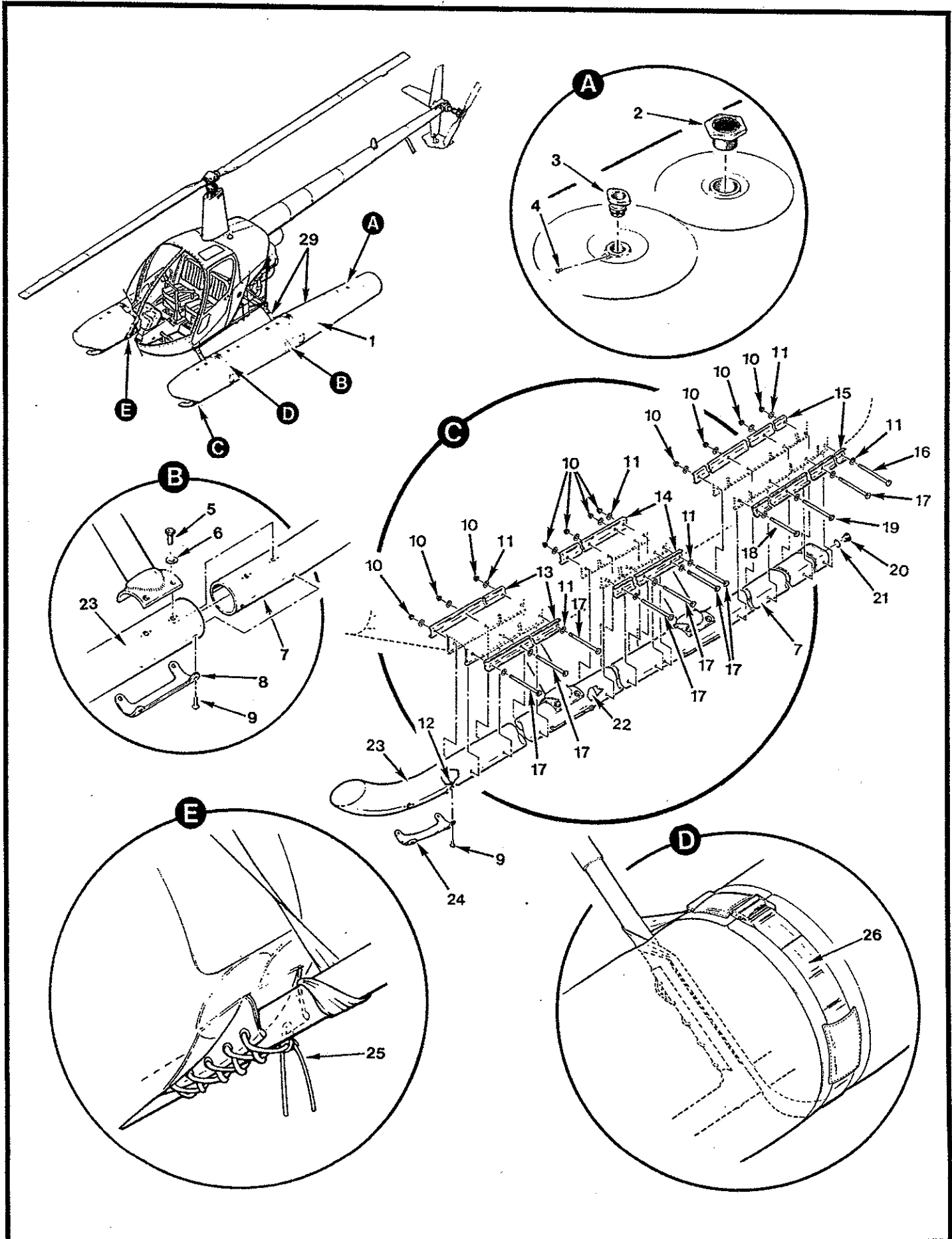


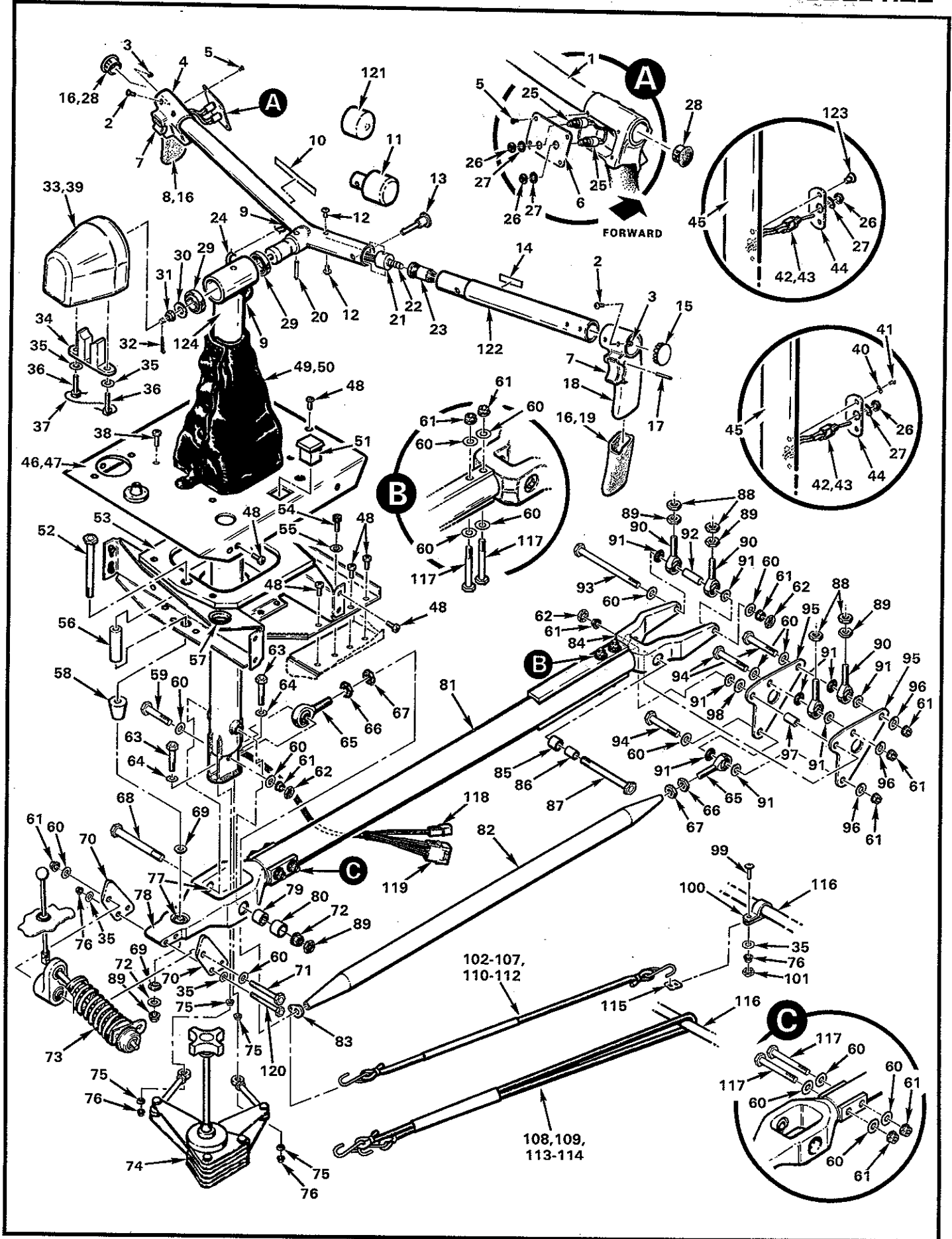
FIGURE 12-1
FUEL SYSTEM (O-540)

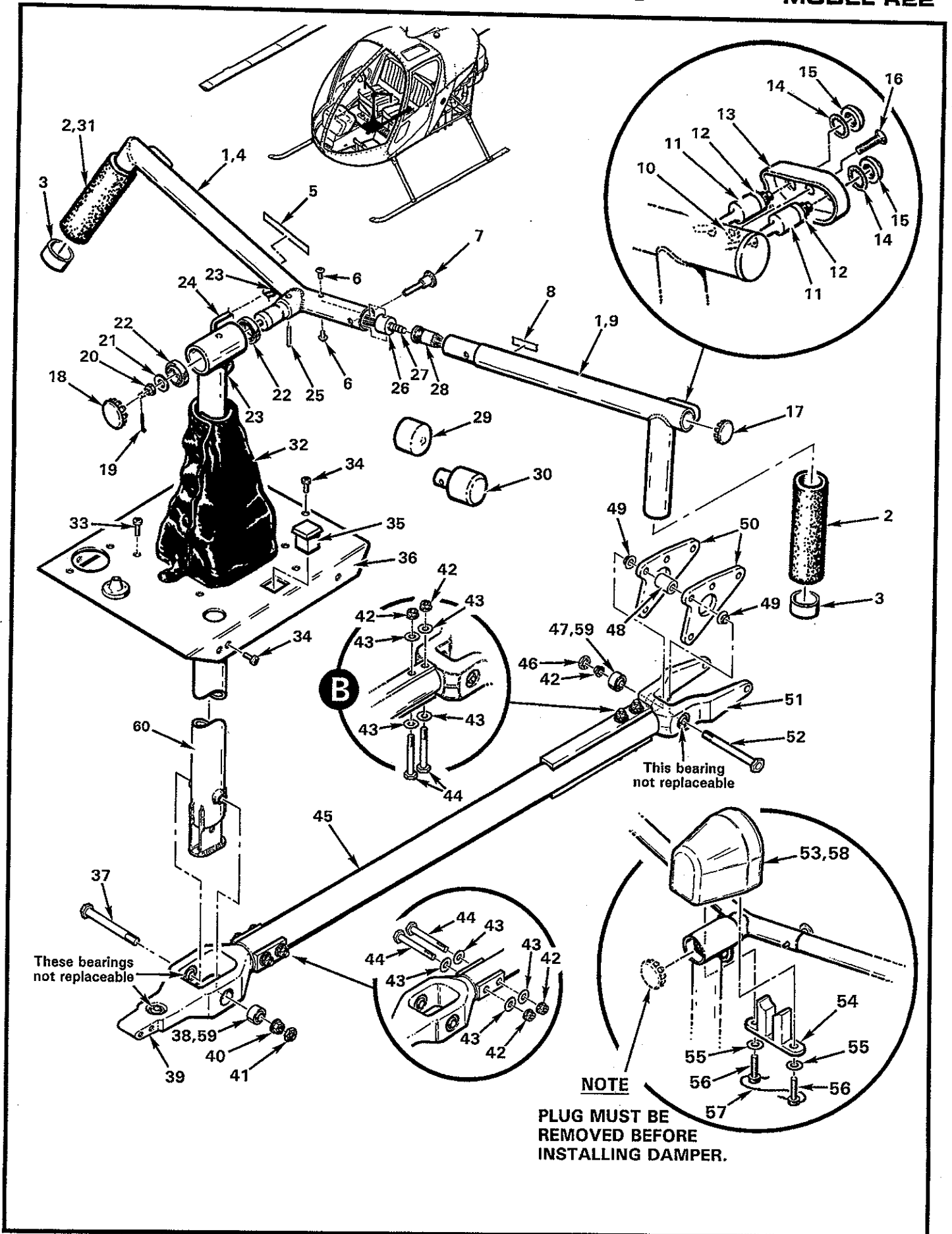


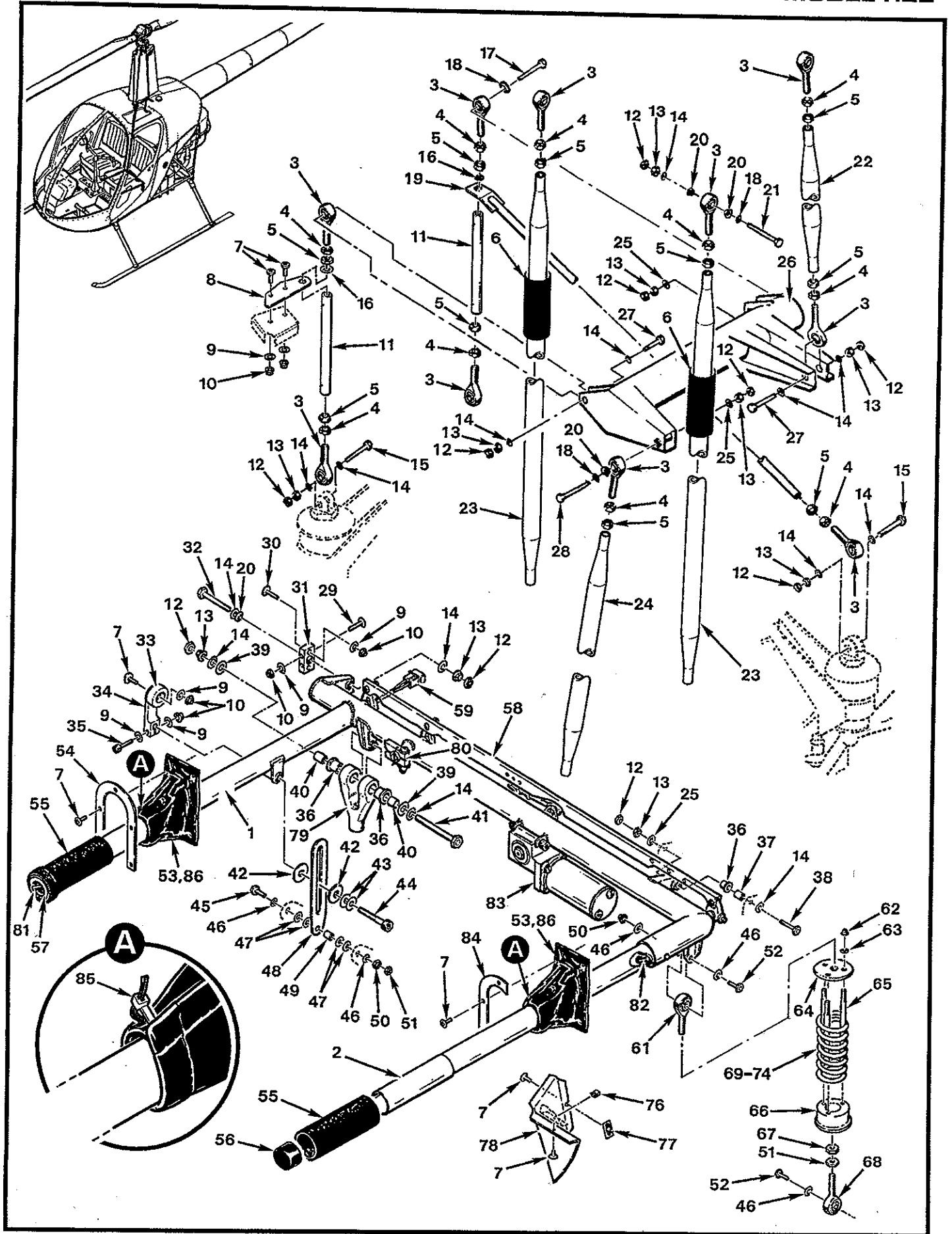


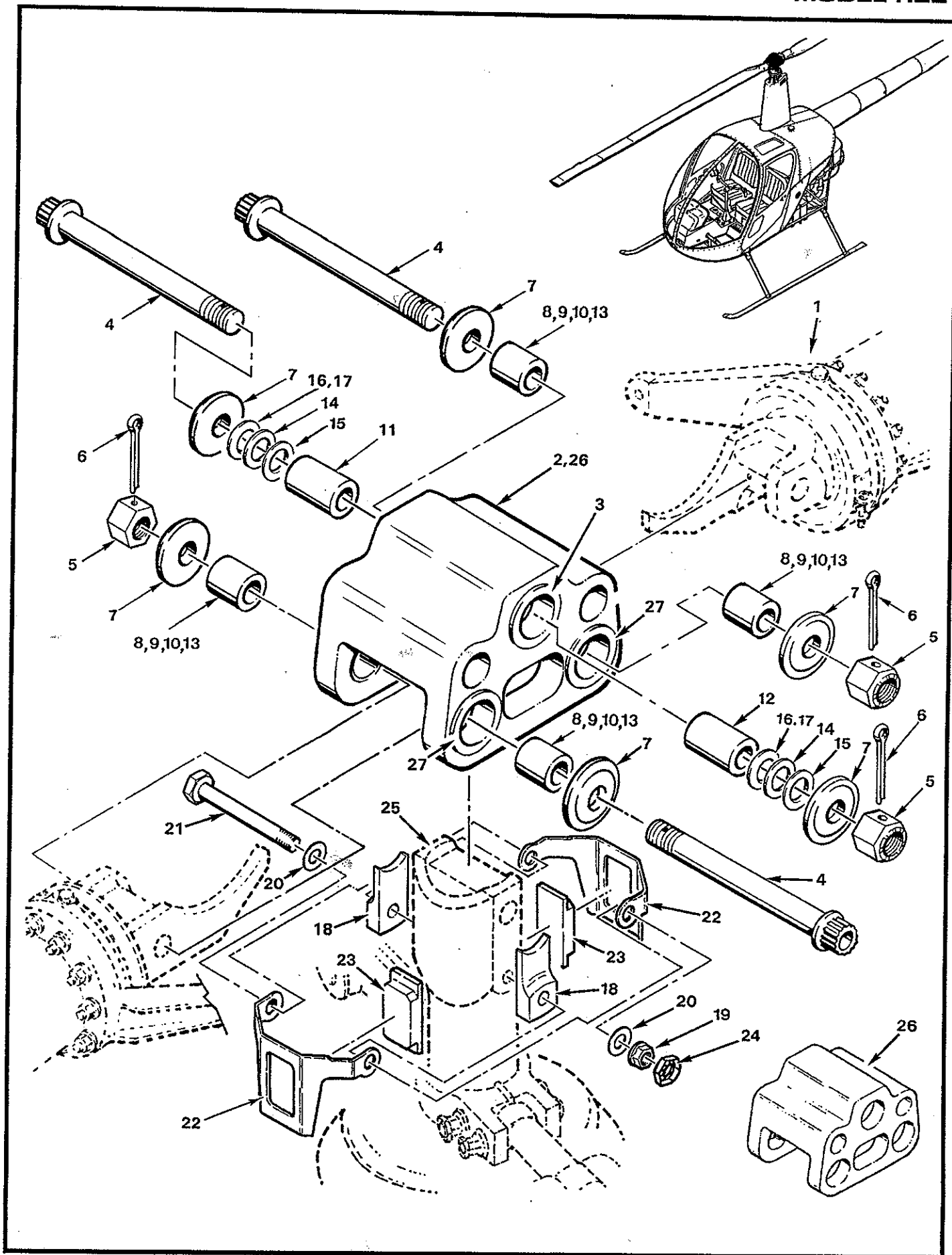


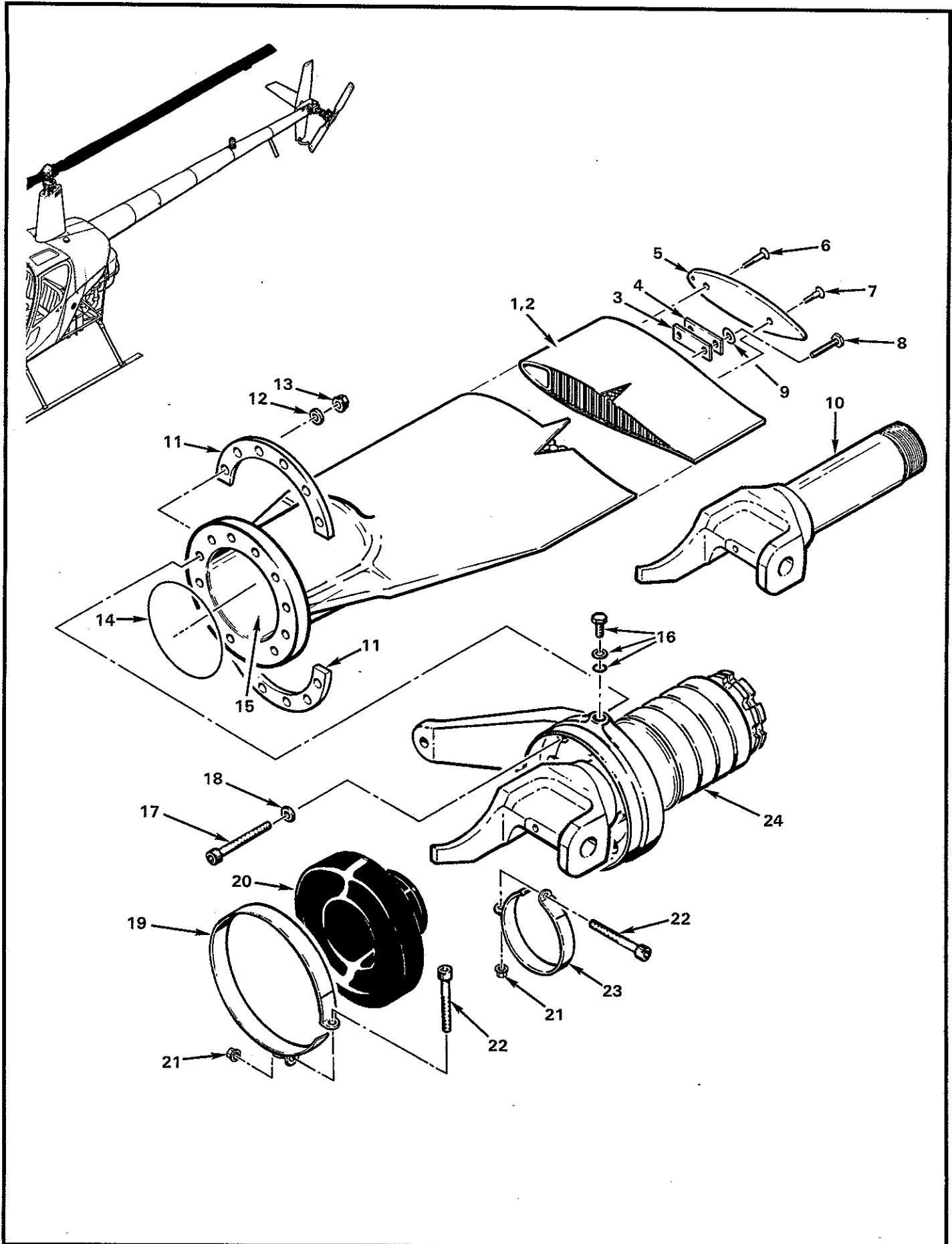


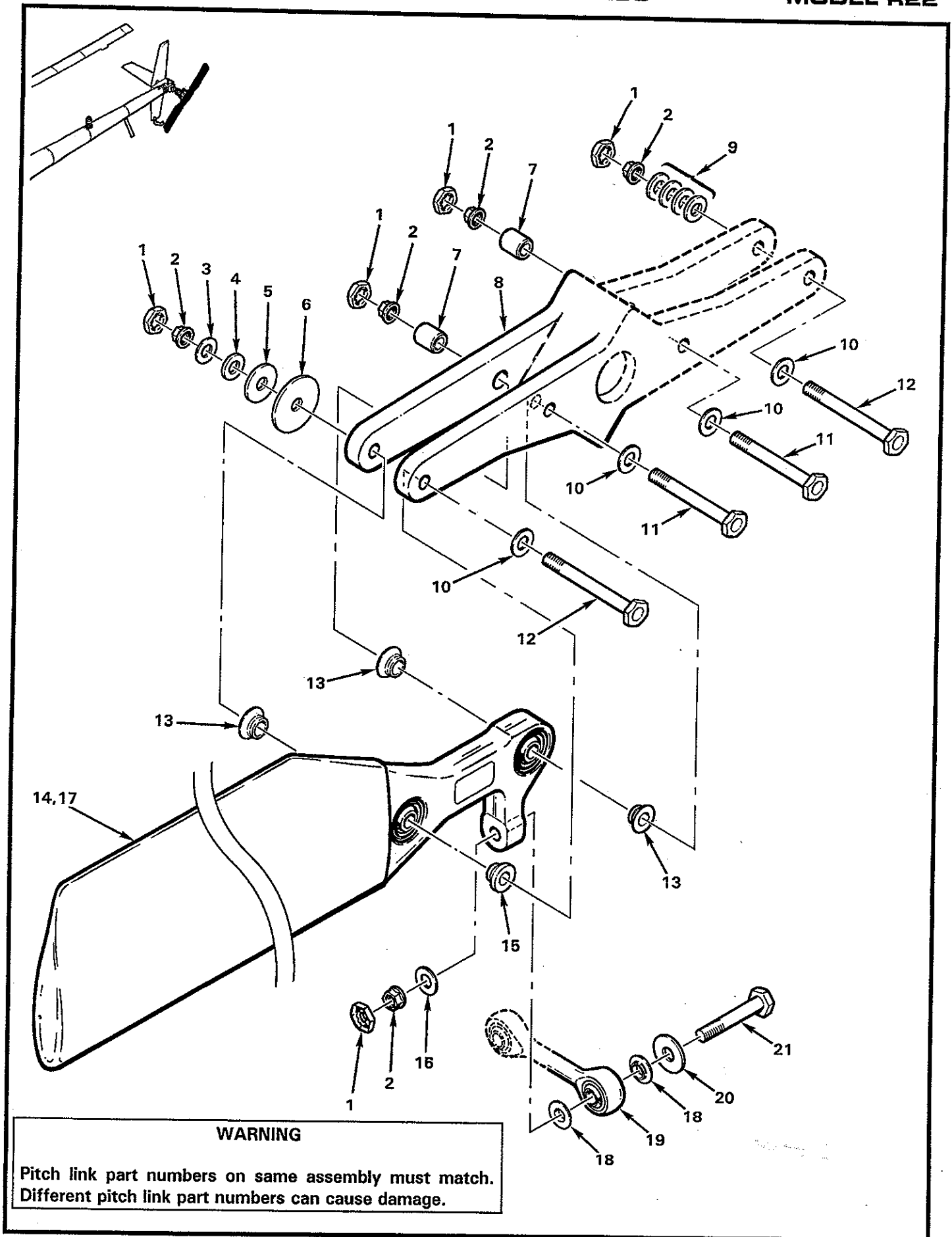












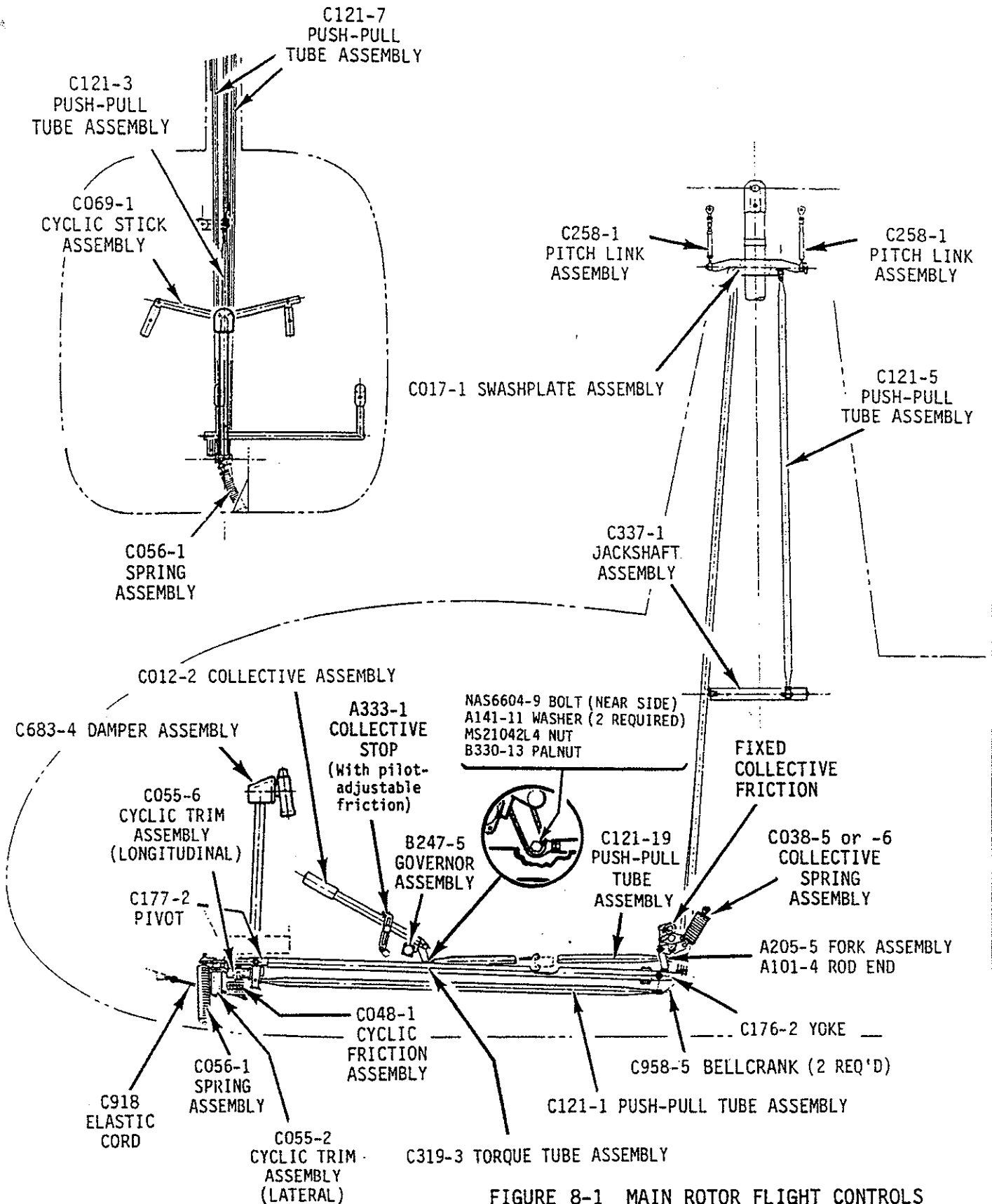
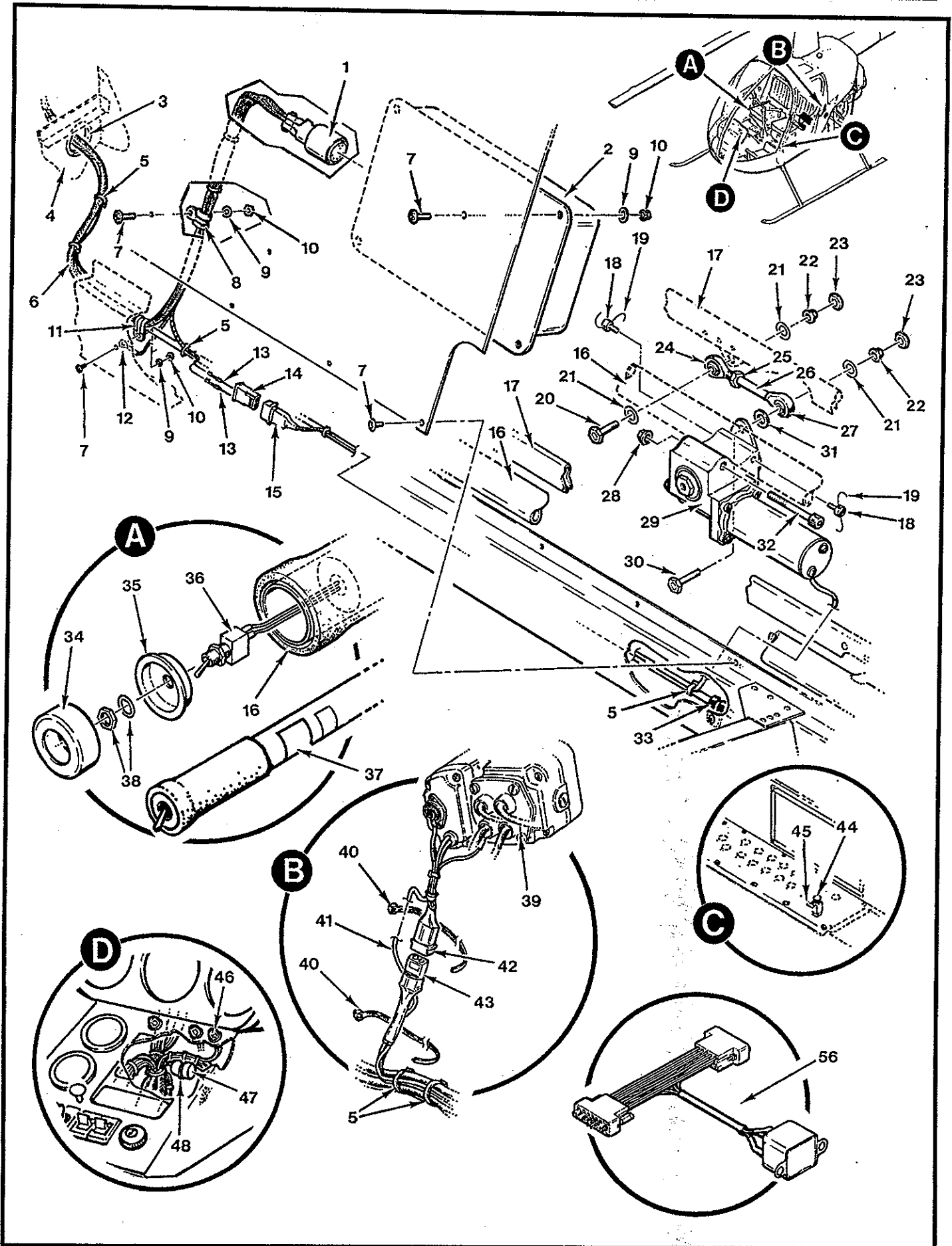
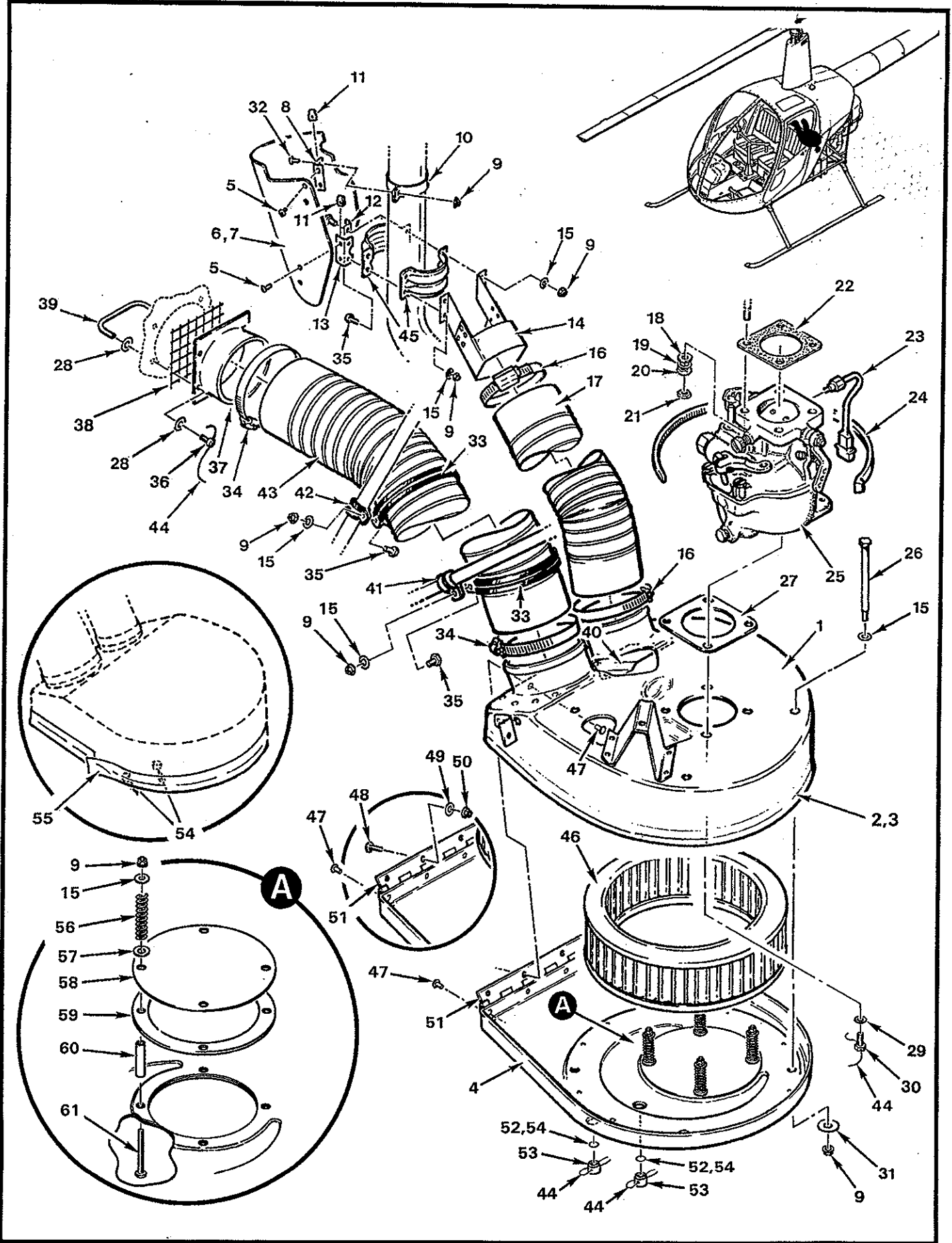
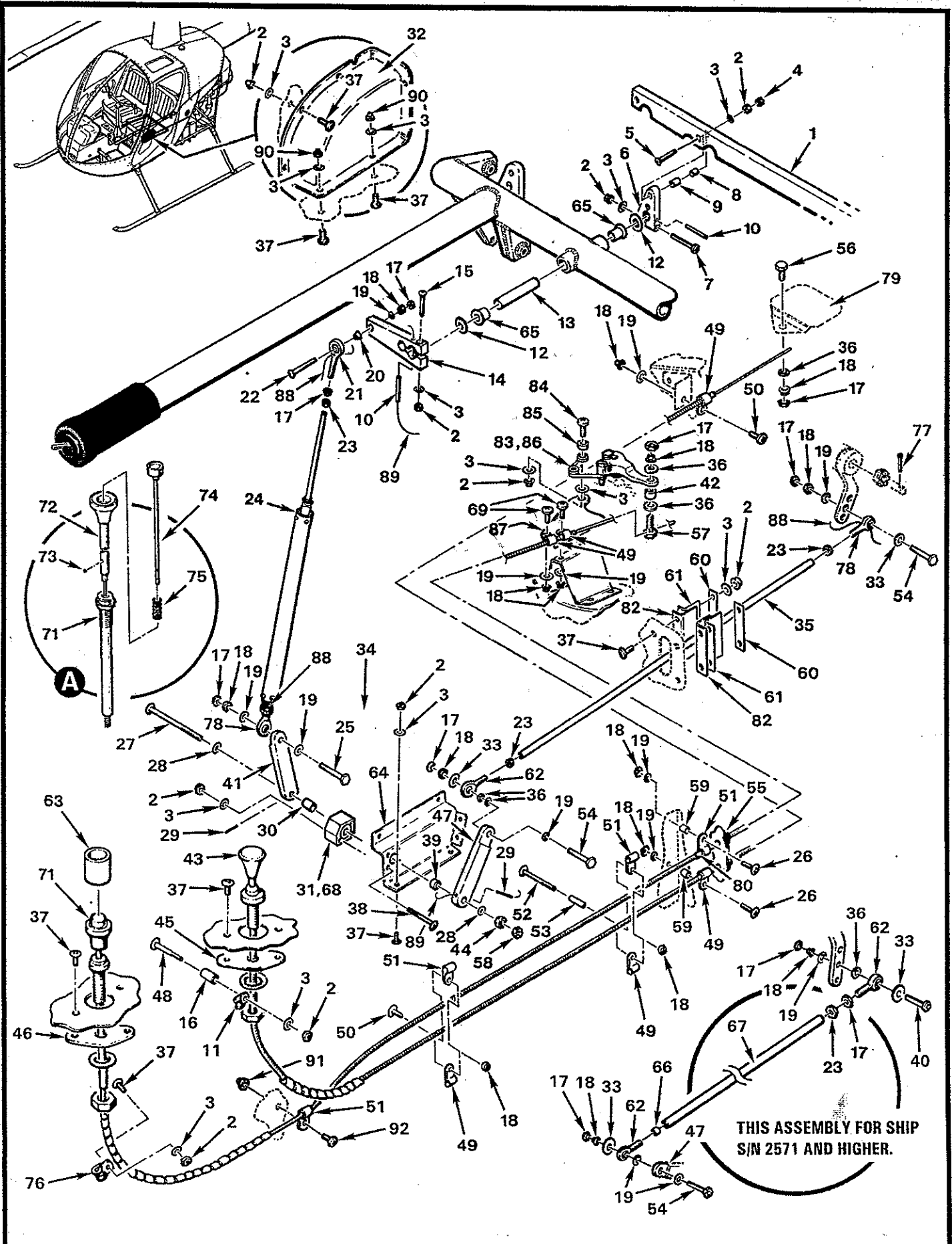


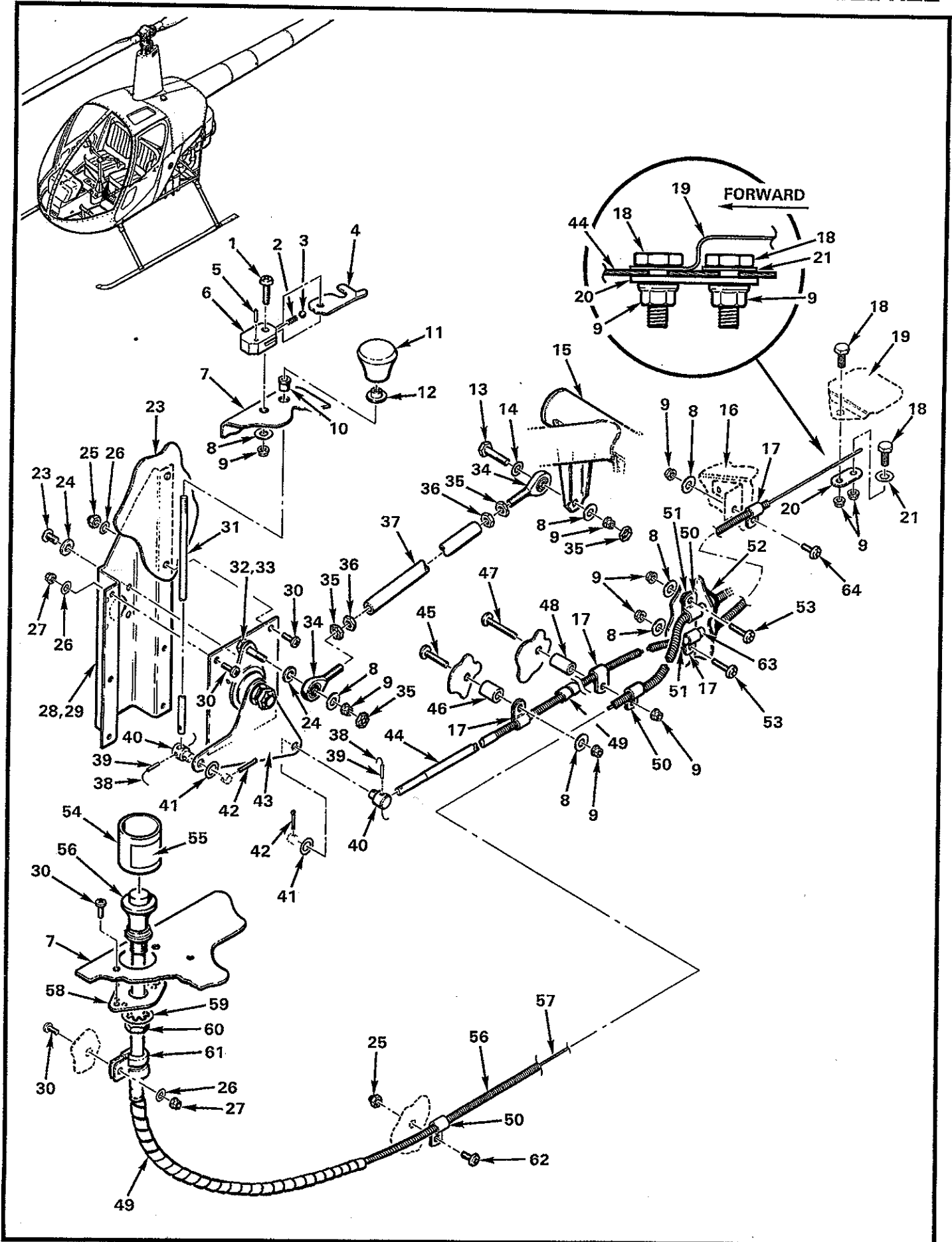
FIGURE 8-1 MAIN ROTOR FLIGHT CONTROLS (Electric Trim System)



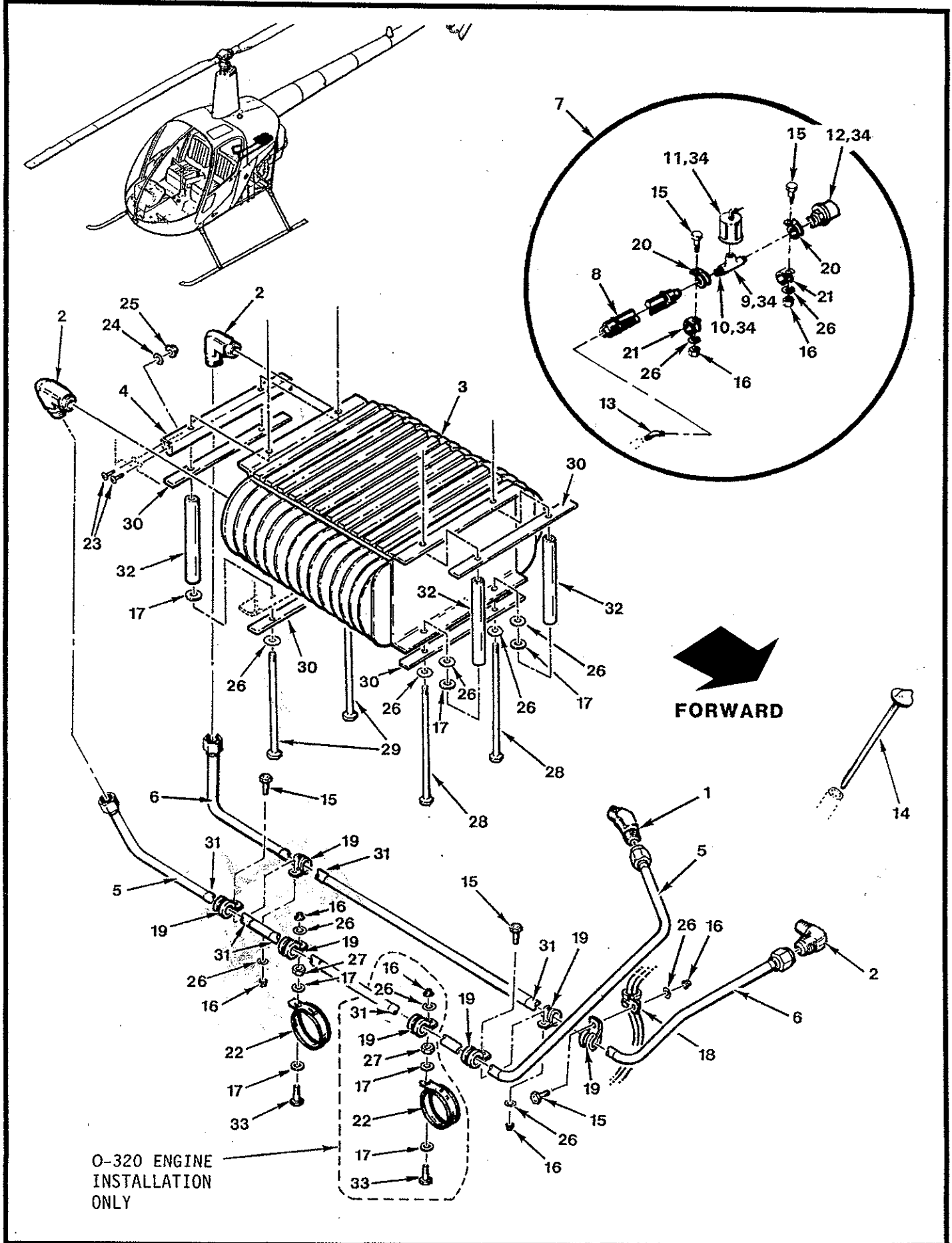


6.8 FIGURE 6-9 AIR INDUCTION SYSTEM (ship S/N 2570 and lower) Issued: JUN 2006





6.34 FIGURE 6-35 CARB HEAT ASSIST AND MIXTURE CONTROL REV APR 2007
(Ship S/N 2665 and higher)



6.110 Engine Removal (cont'd)

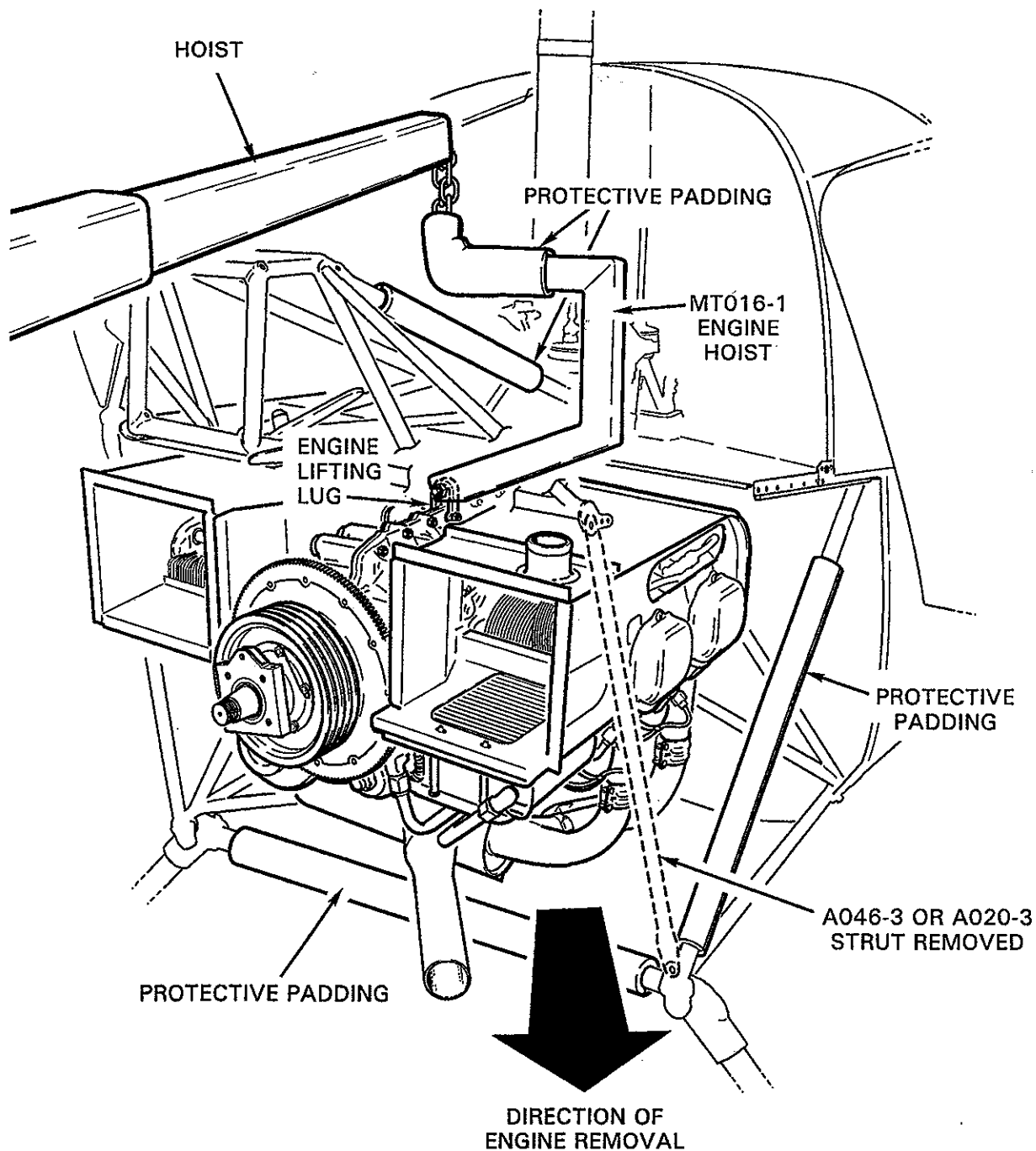


FIGURE 6-1 POWERPLANT REMOVAL

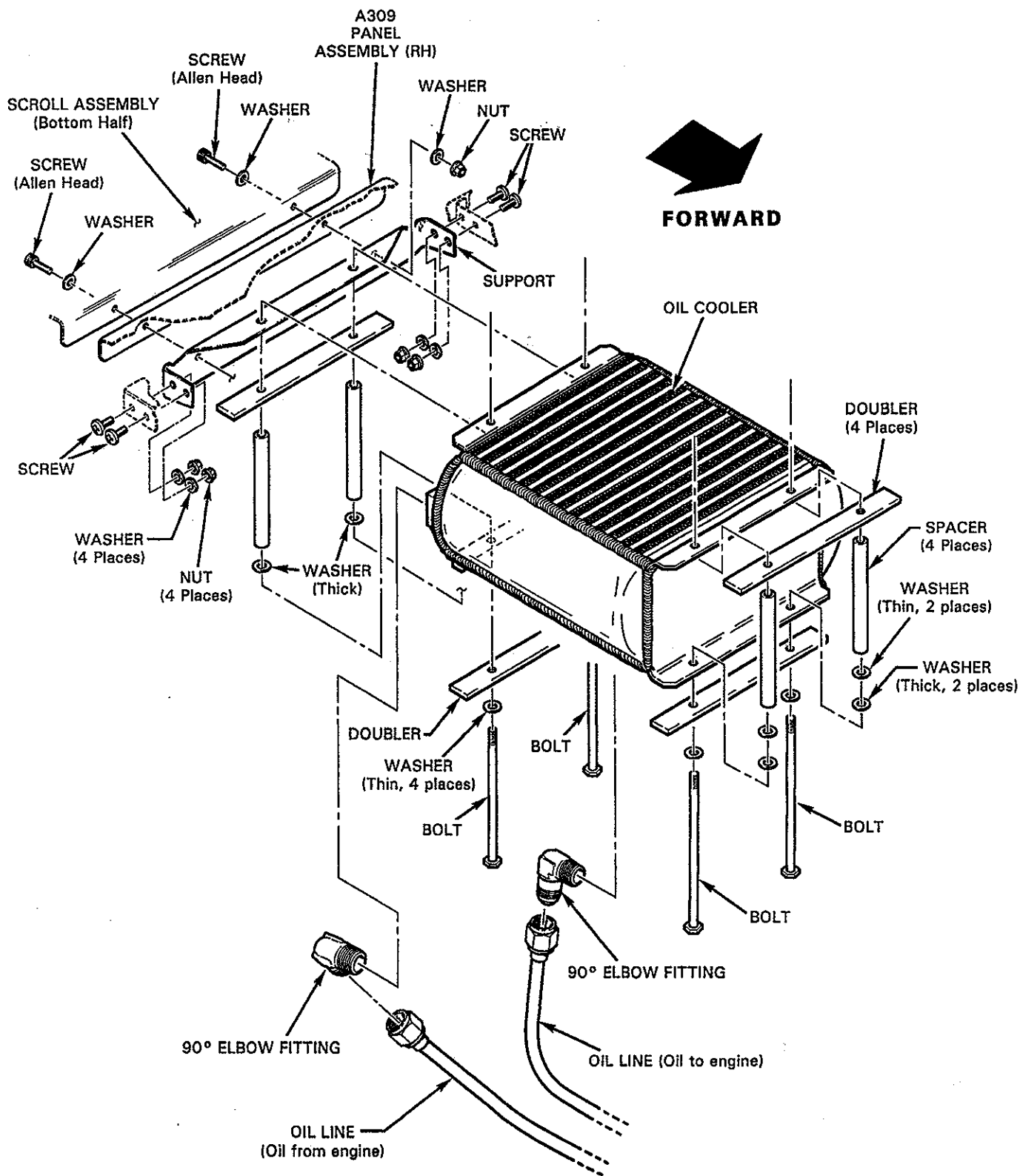


FIGURE 6-6 OIL COOLER INSTALLATION